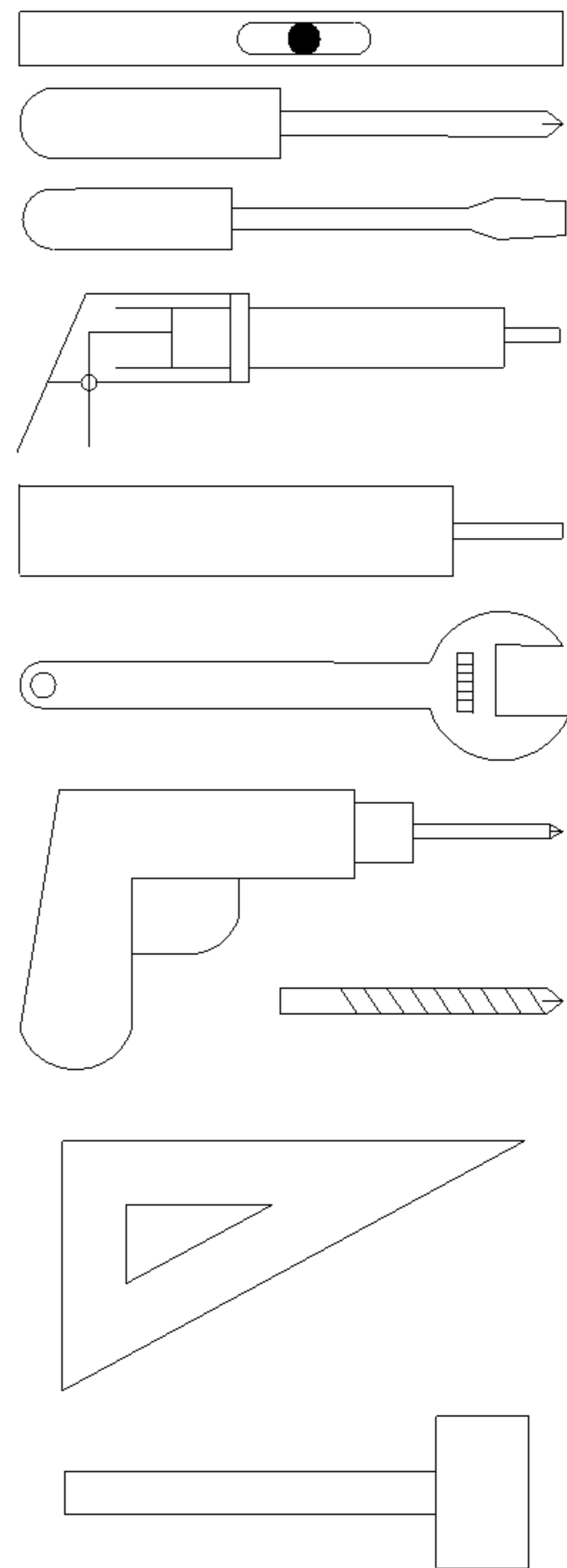
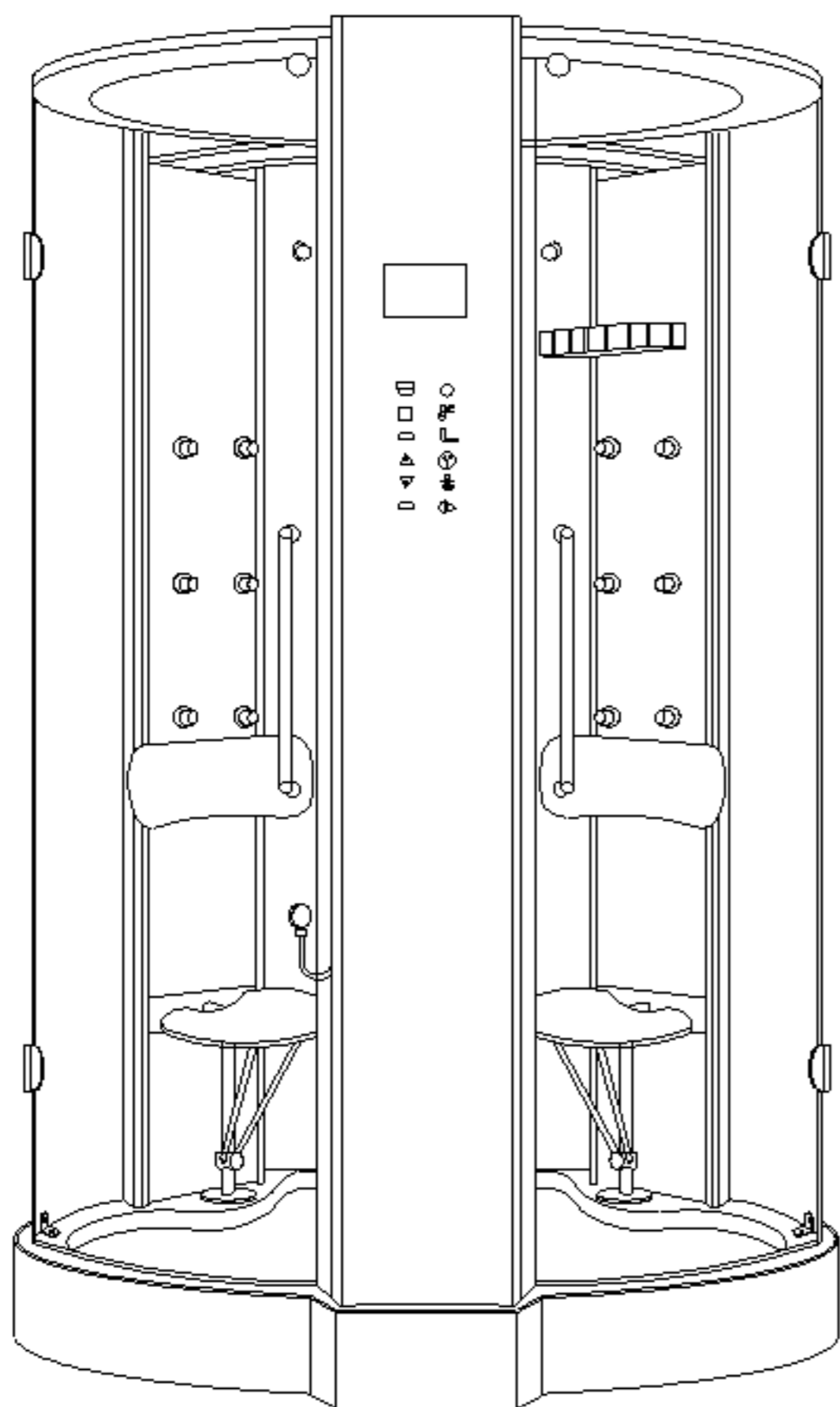
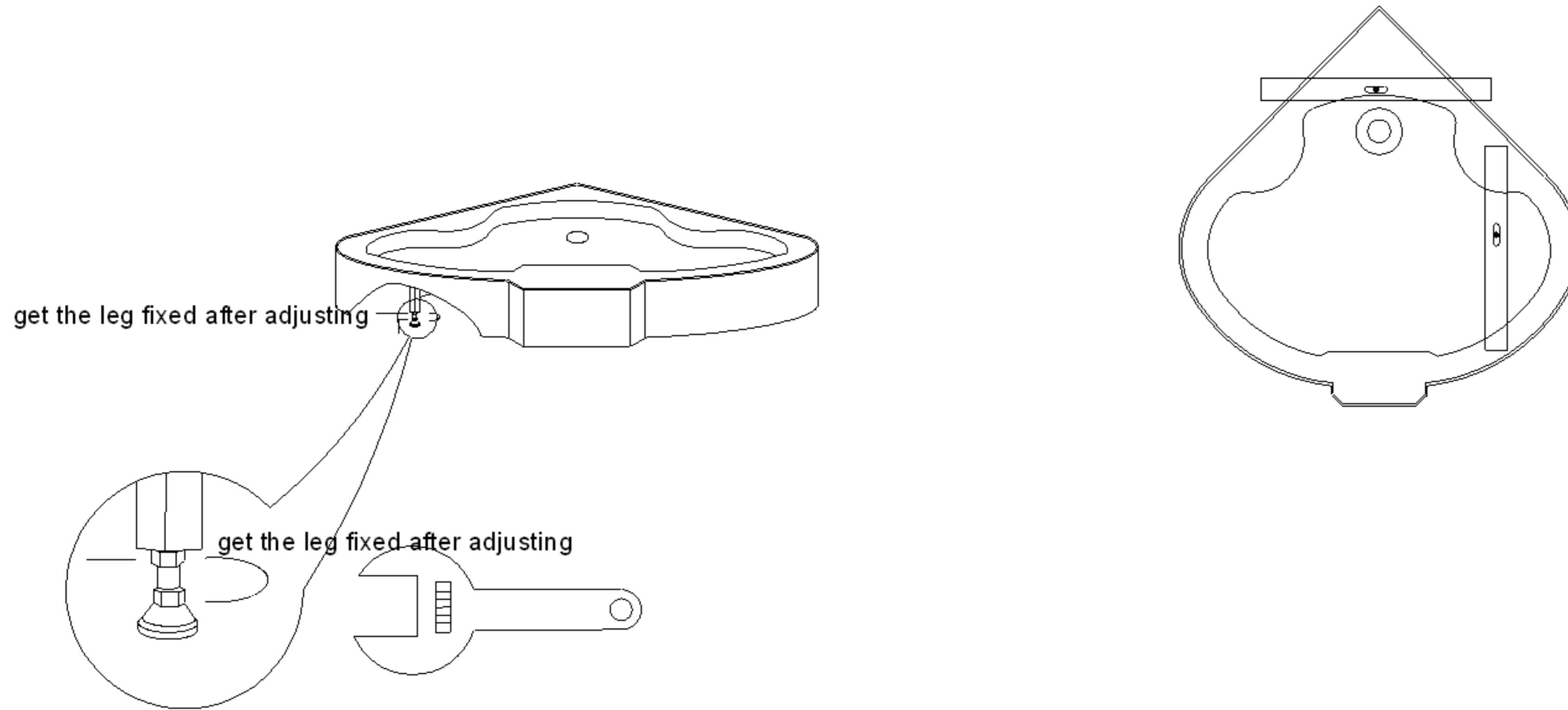


## **Installation Instruction**

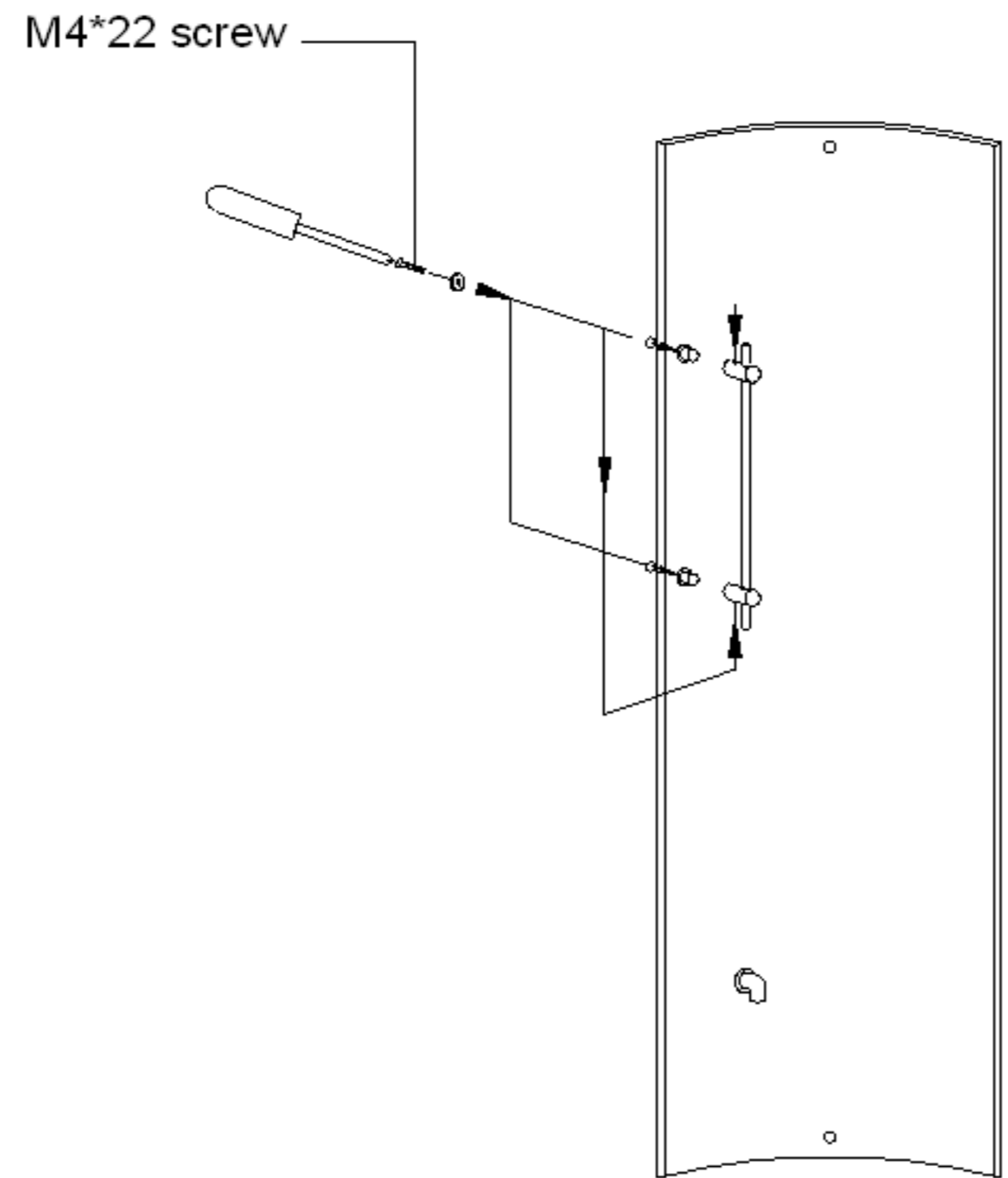
**WS121/WR121/WS131/WR131**



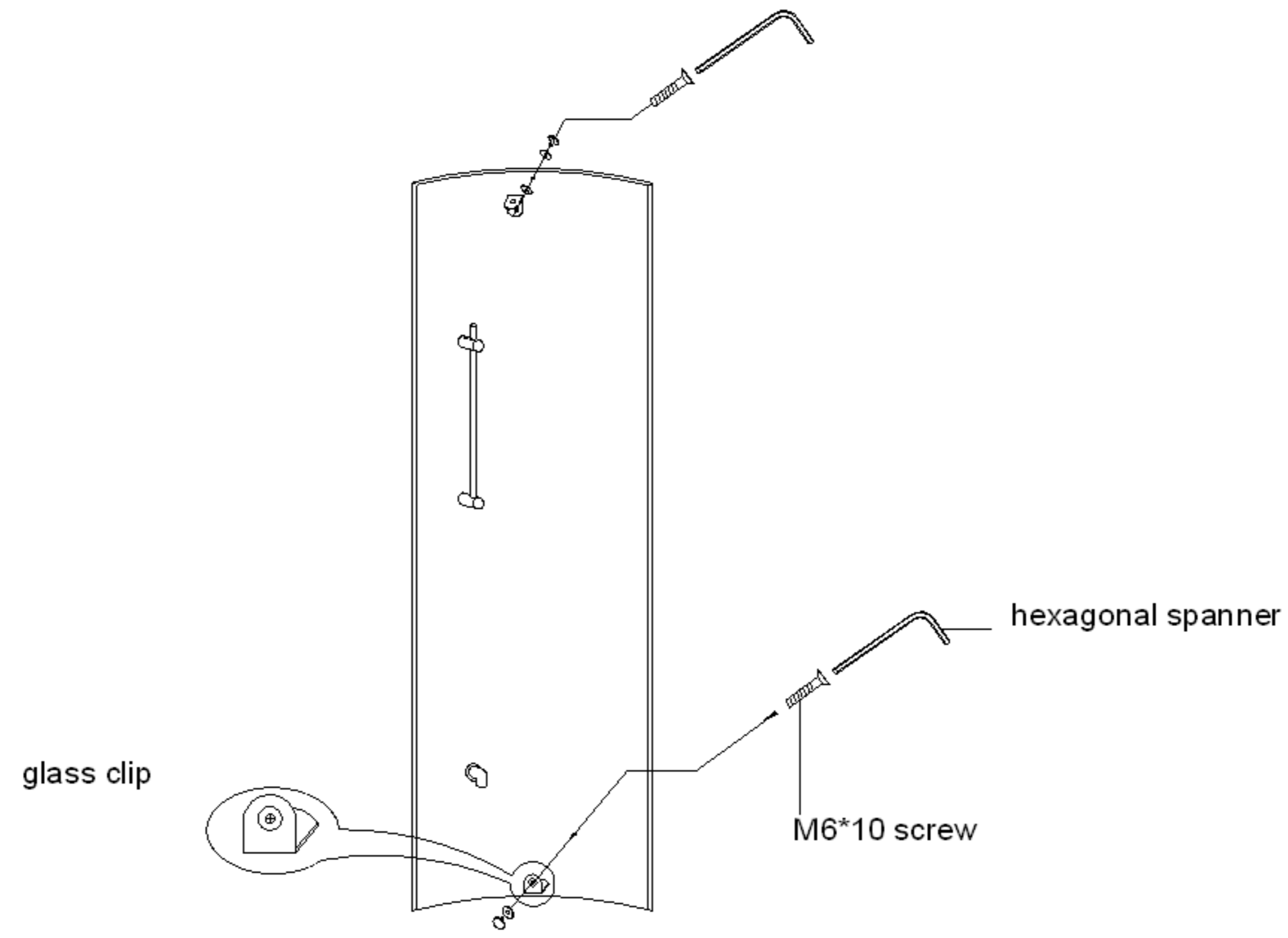
1. Tools used: gradienter, screwdriver, silicone gun, silicone, spanner, electric drill,  $\phi 9$  aiguille, triangle ruler, hammer.



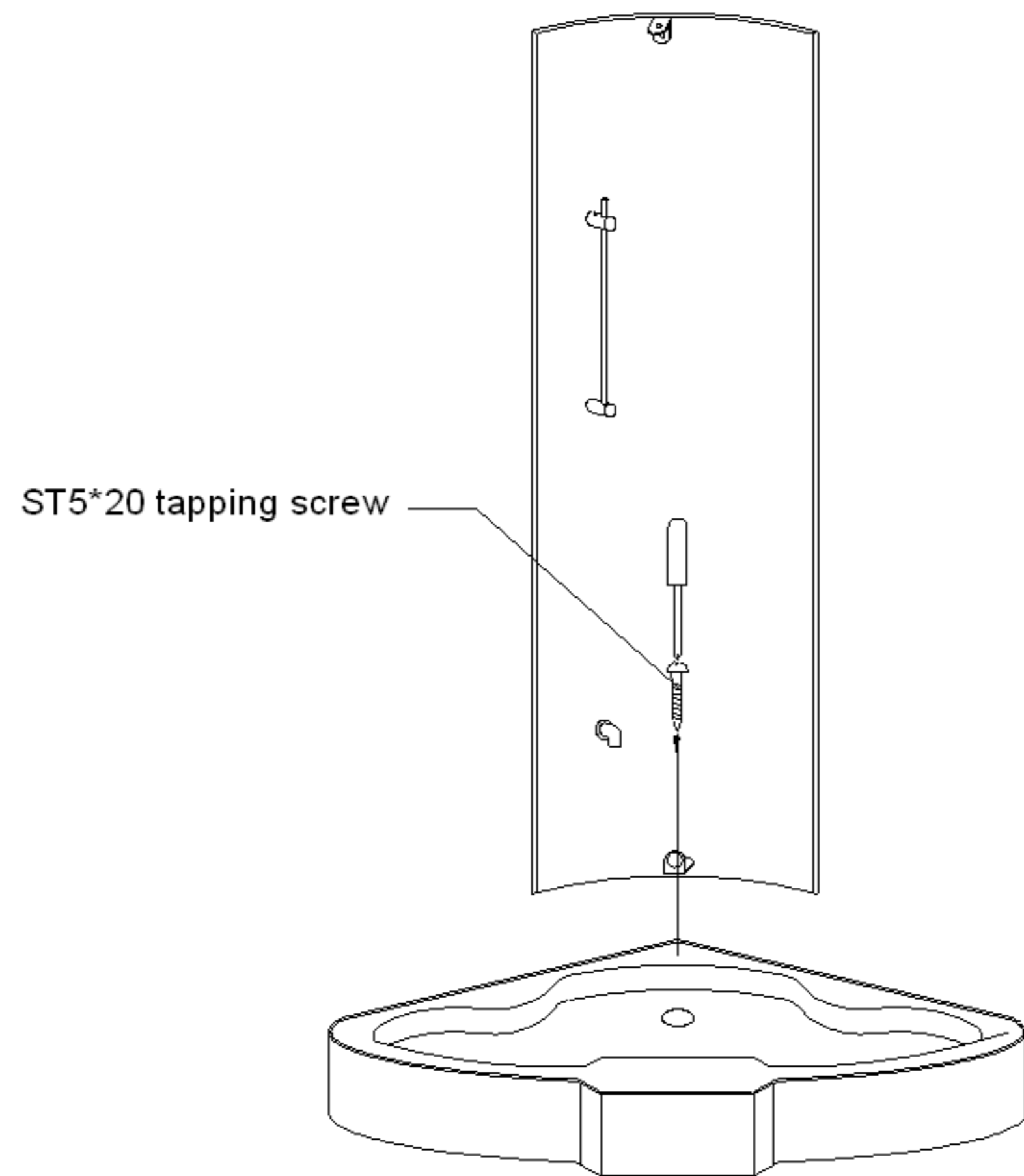
2. Adjust the shower tray to make sure the upper surface of the track is vertical with the wall. The upper side of the shower tray shall be level and all the legs shall reach the floor.



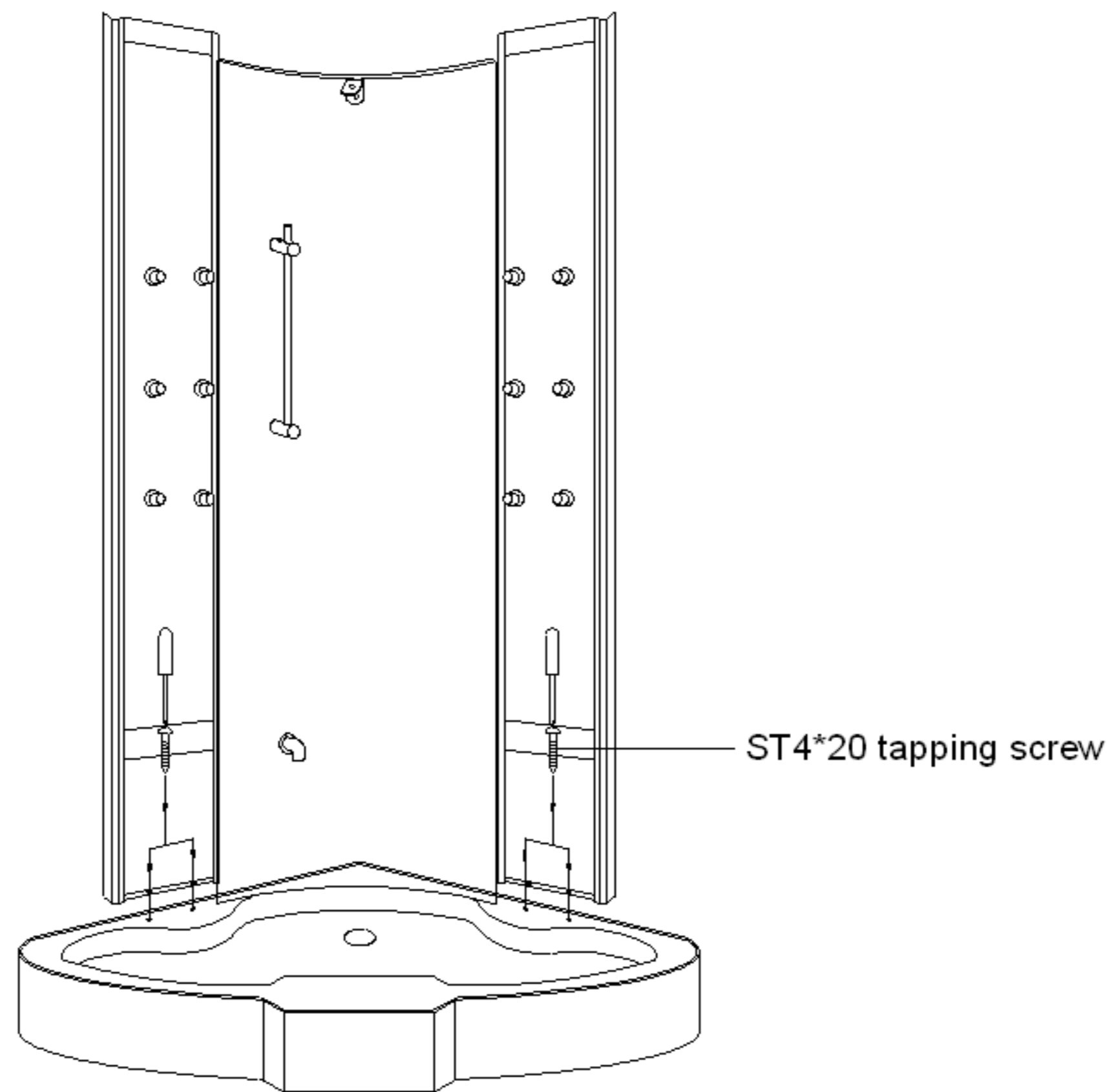
3. Install shower bar.



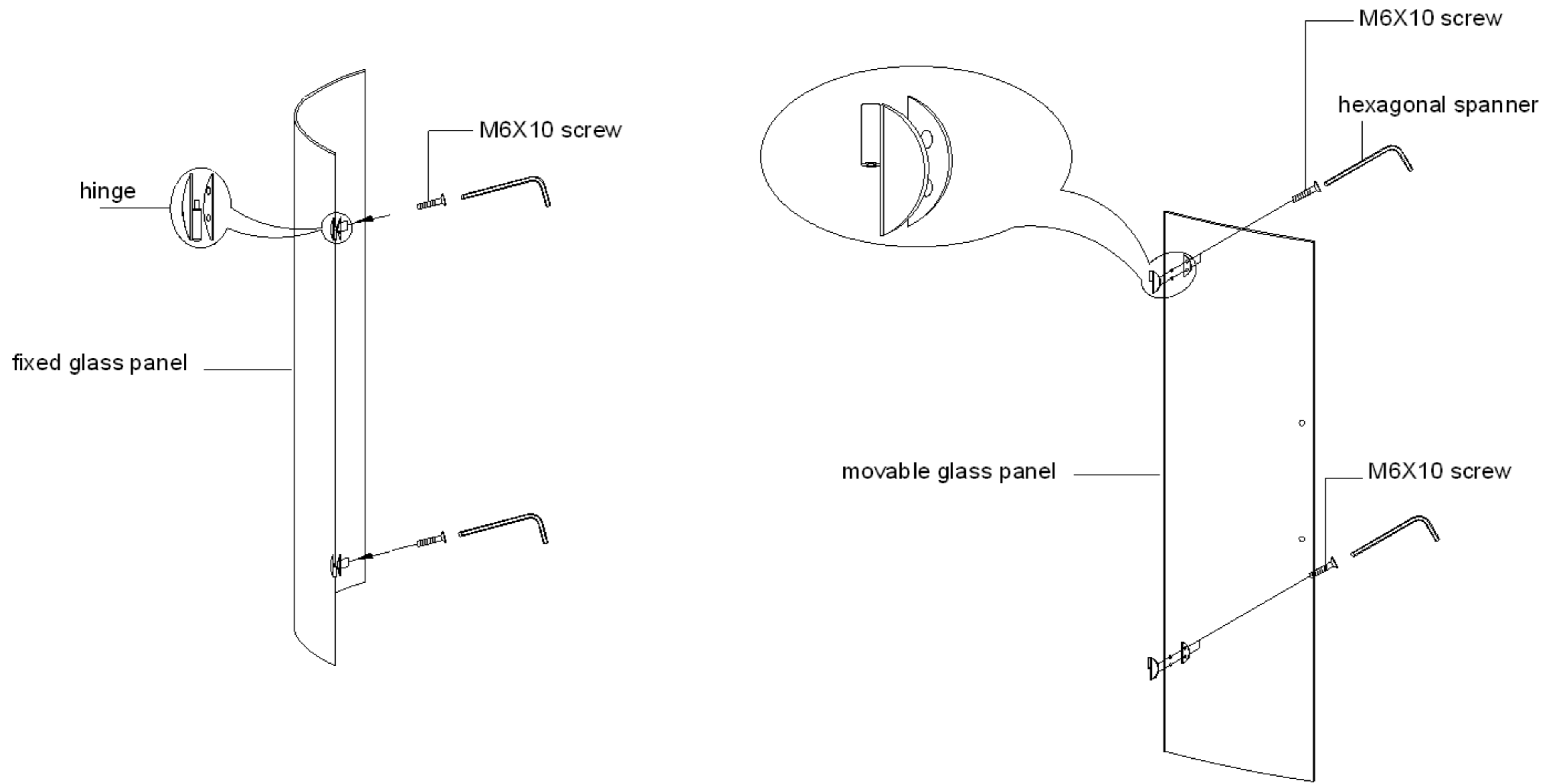
4. Install glass clip for back glass panel.



5. Install back glass panel.

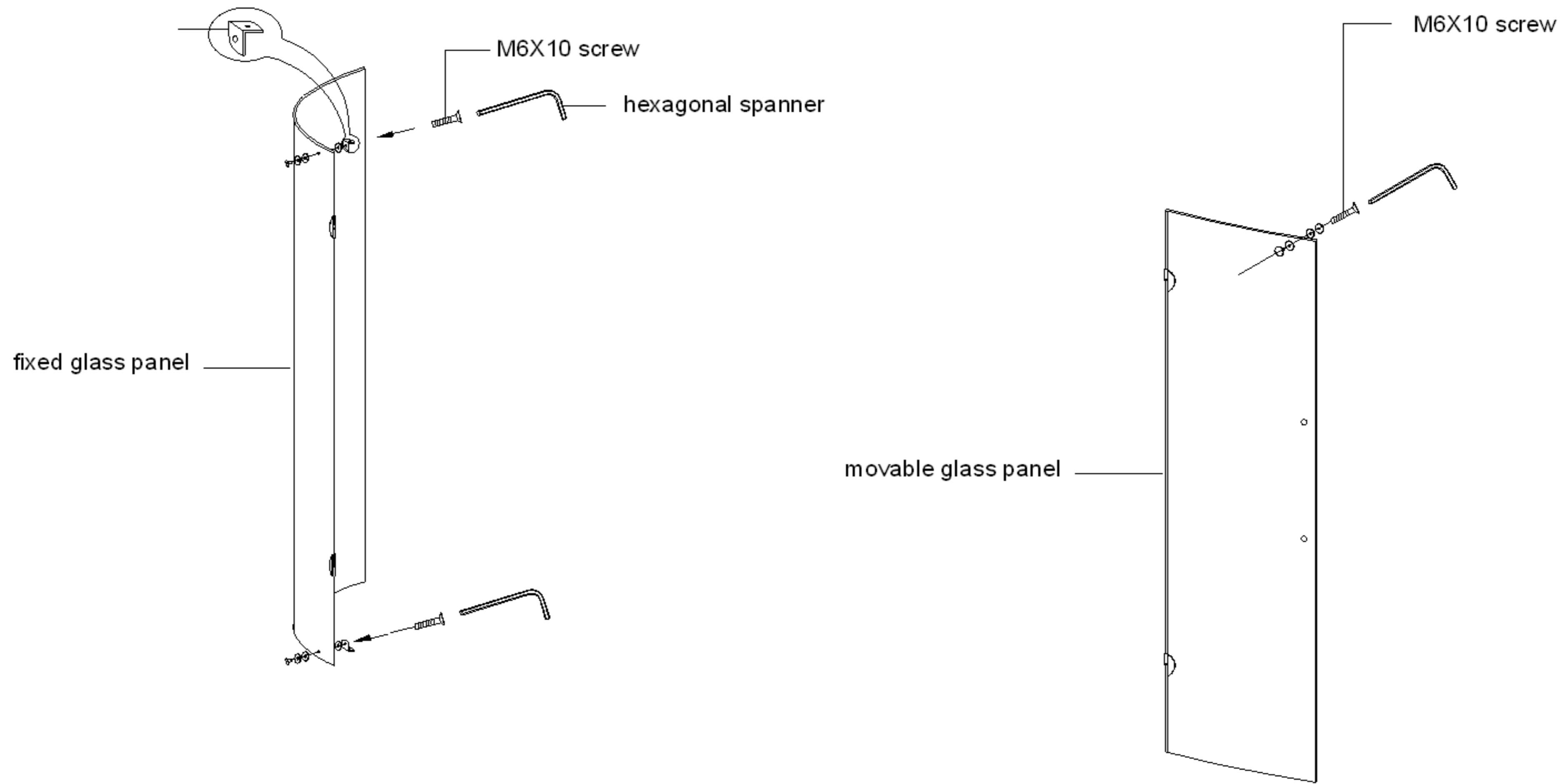


6. Install side columns.

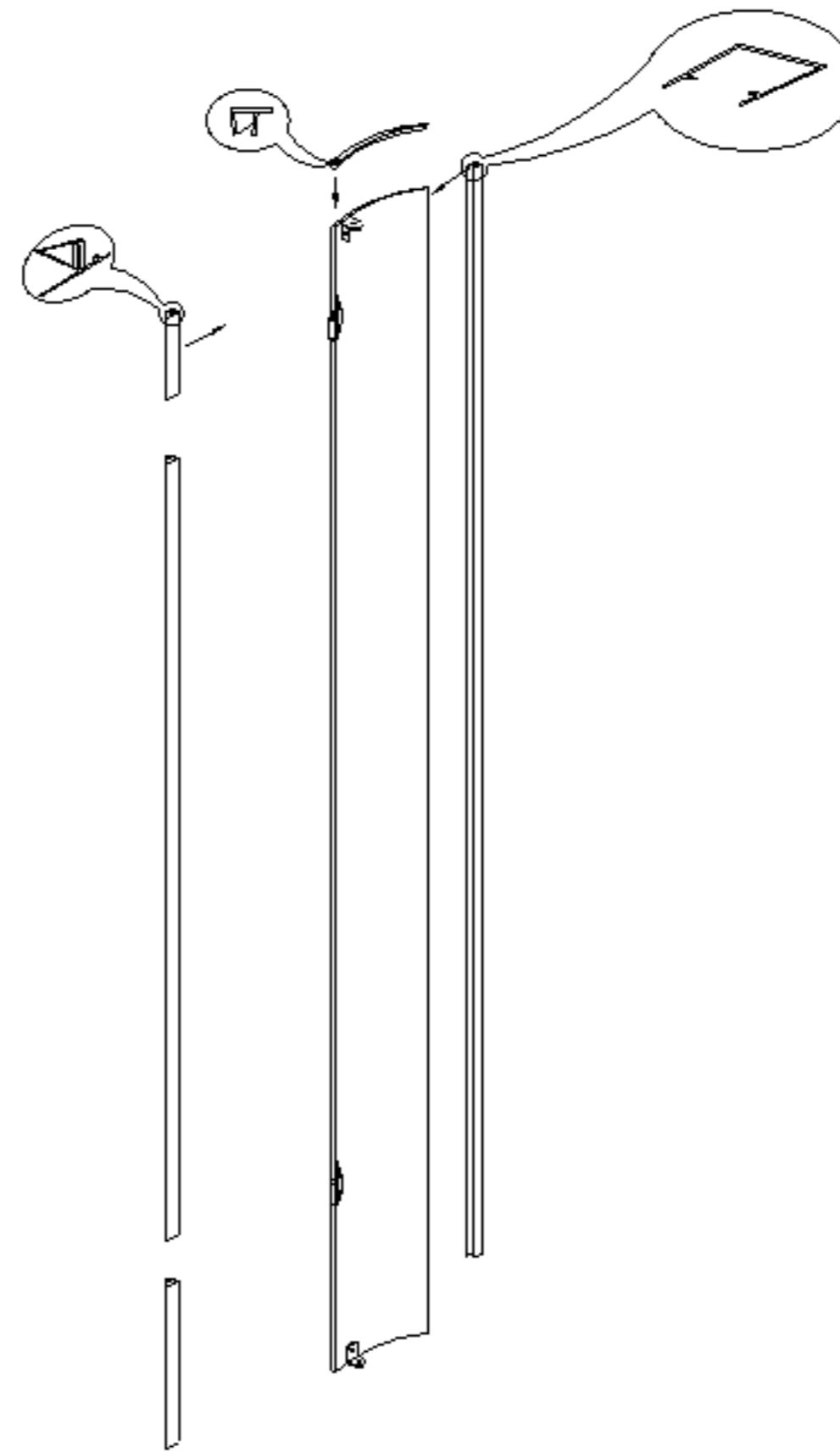


7. Install hinge for fixed glass panel and movable glass panel.

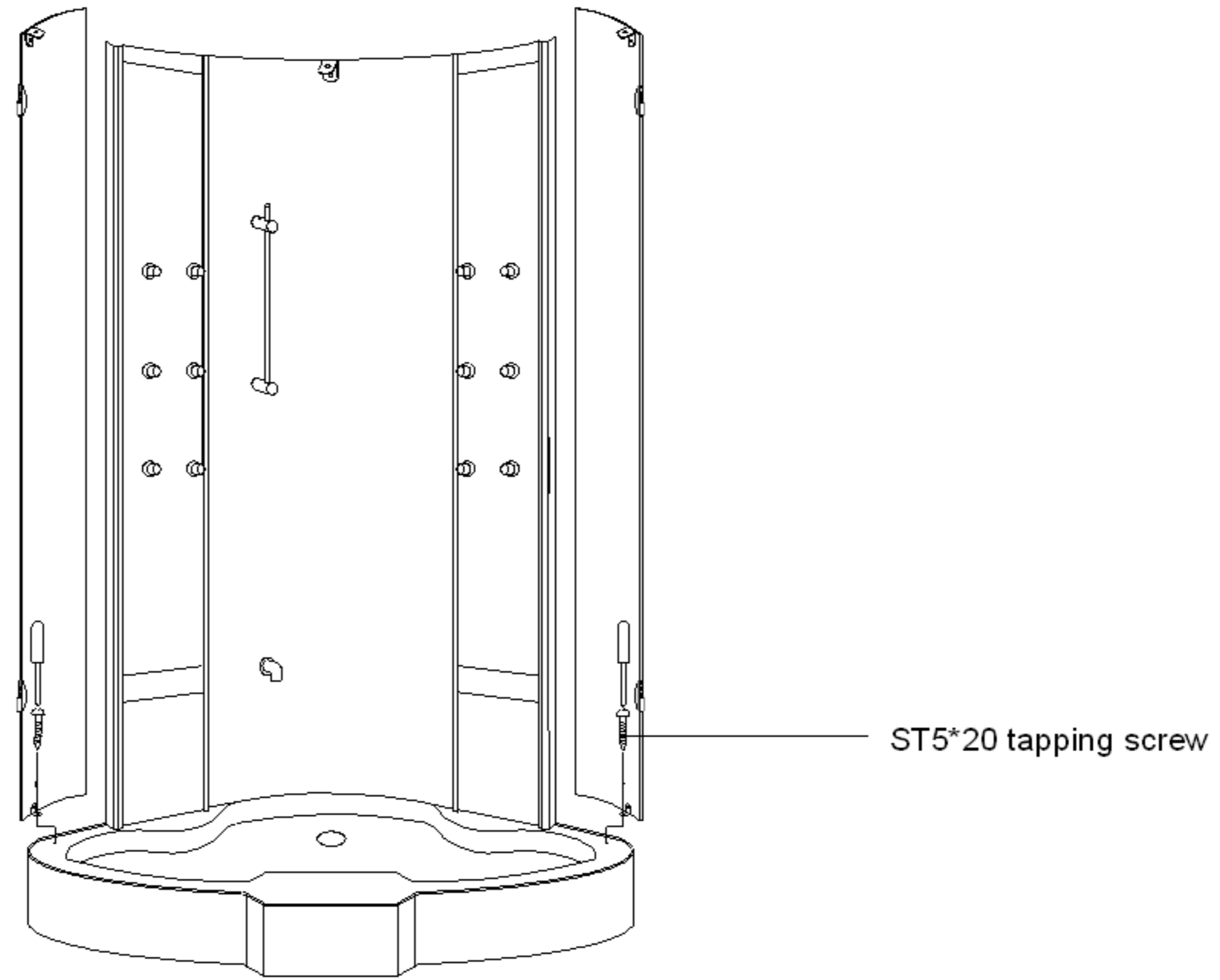




8. Install glass clip for fixed glass panel and magnetic cylinder for movable glass panel.

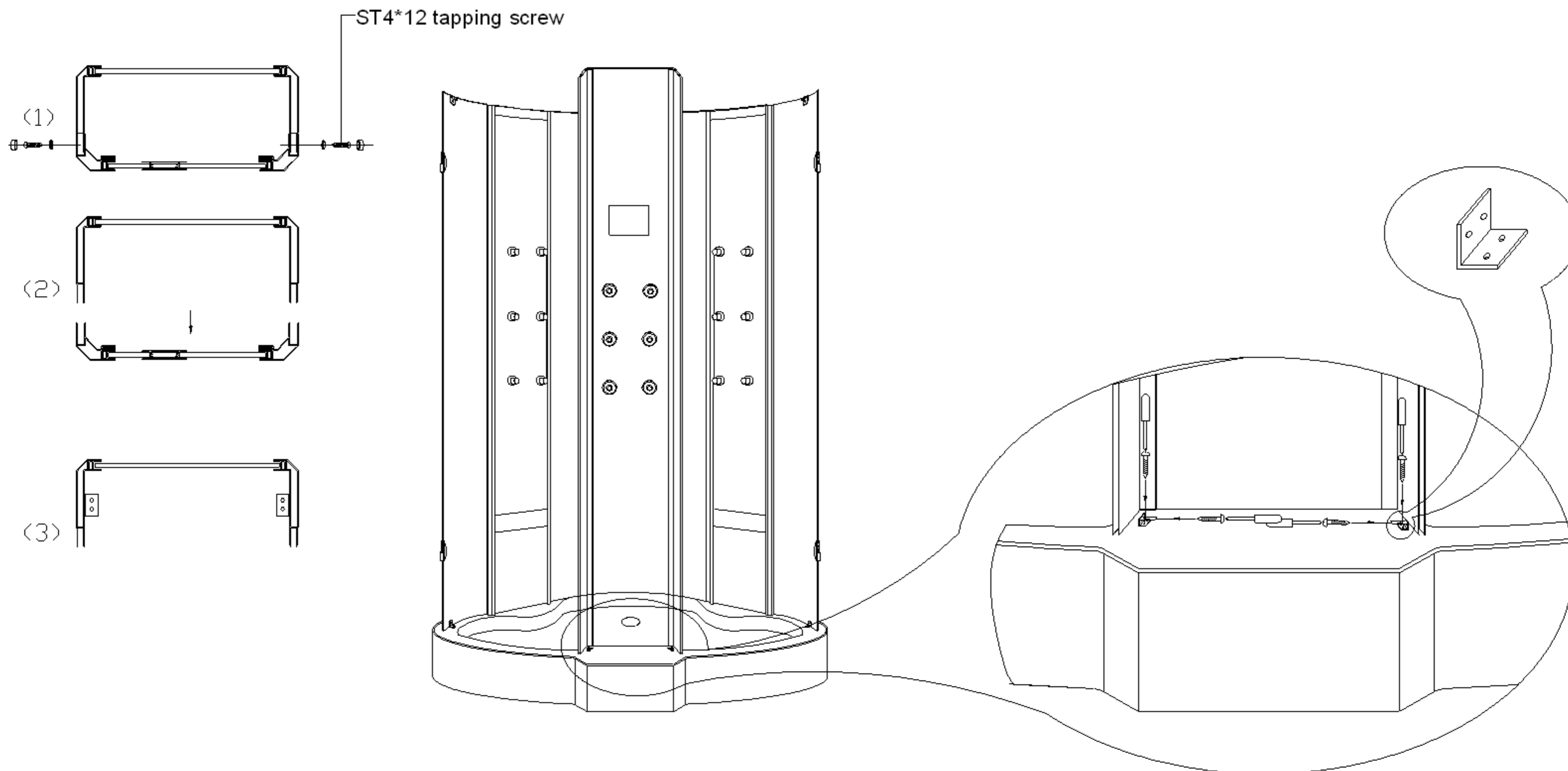


9. Install plastic seal for fixed glass panel.

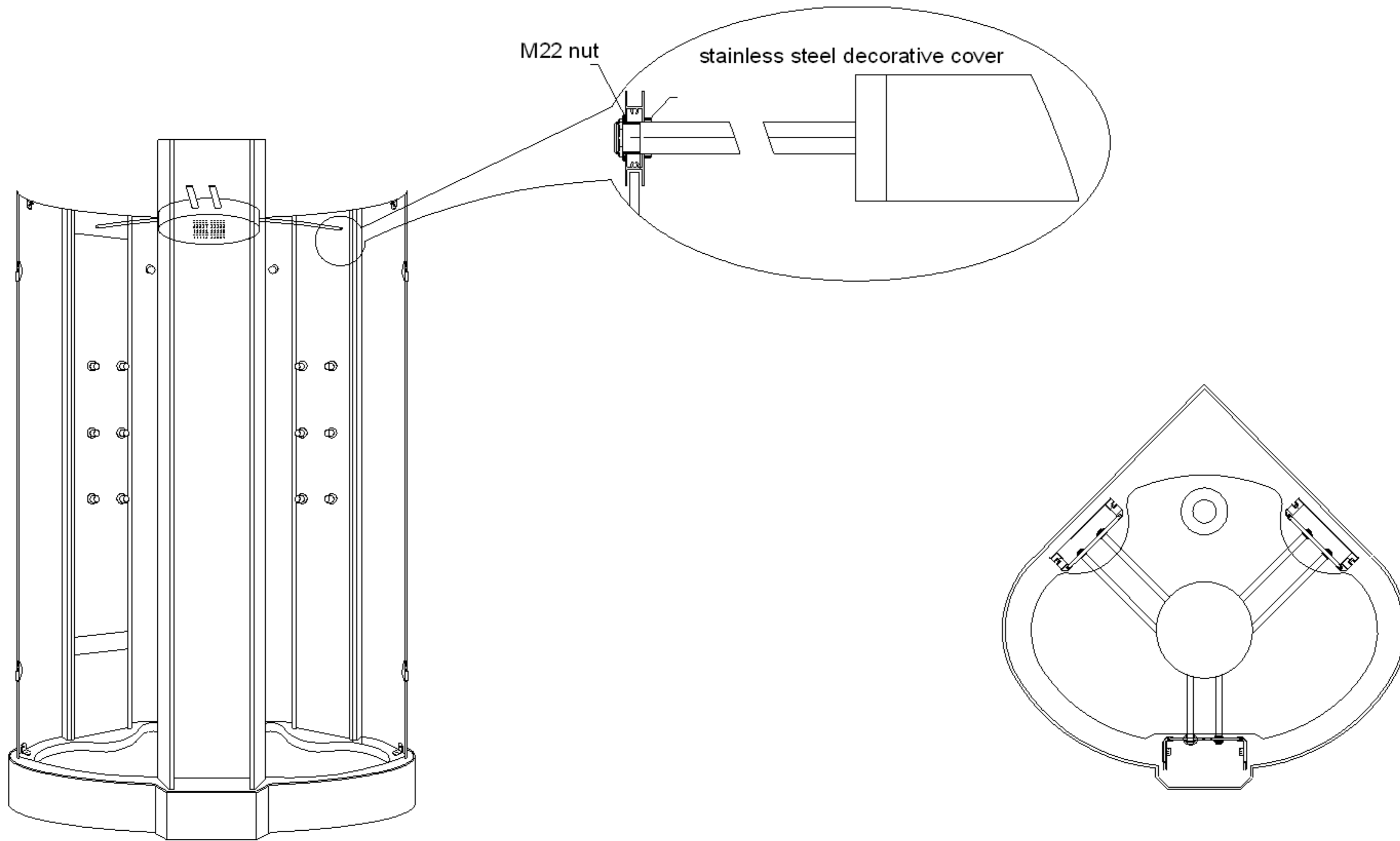


ST5\*20 tapping screw

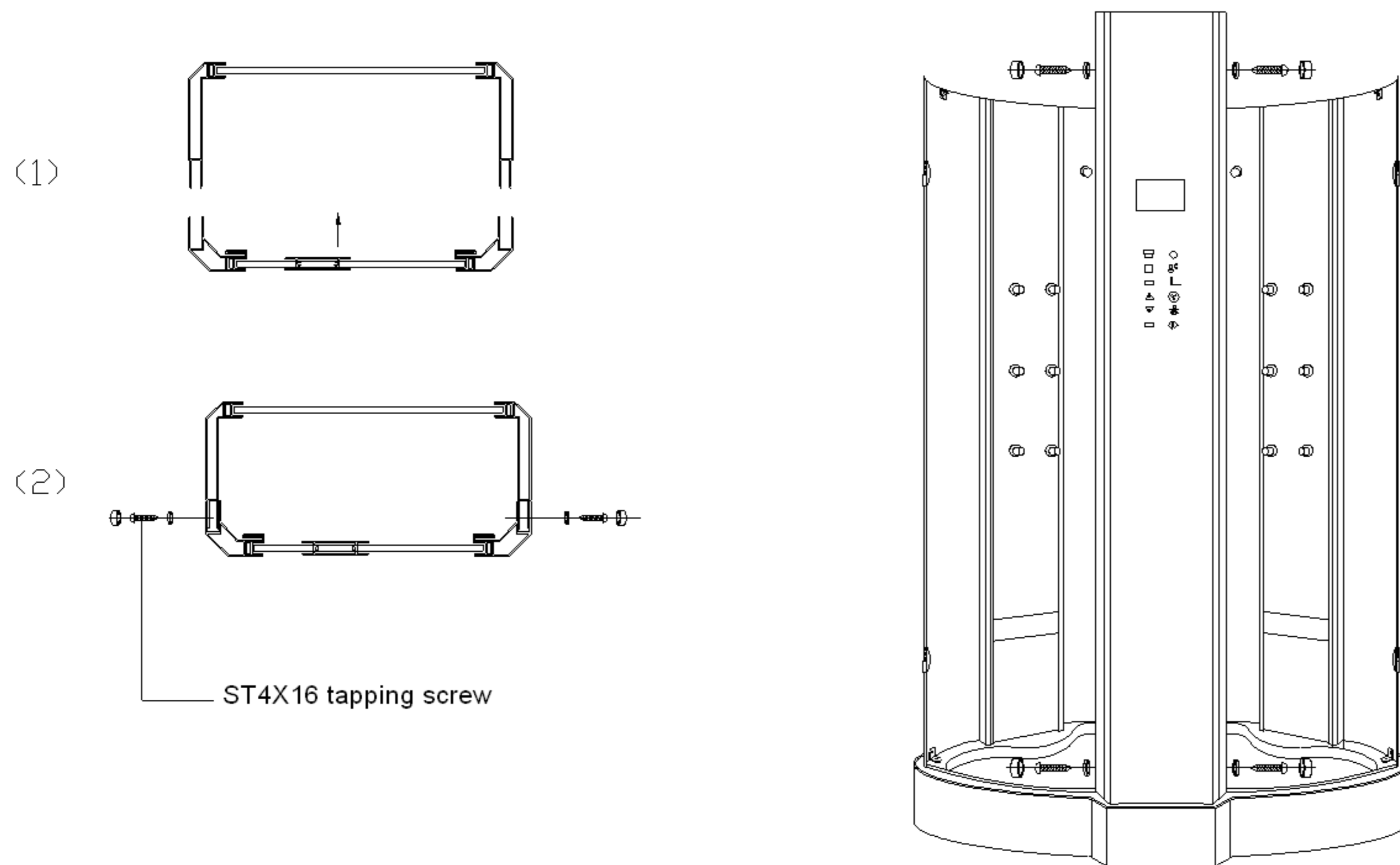
10. Install fixed glass panel.



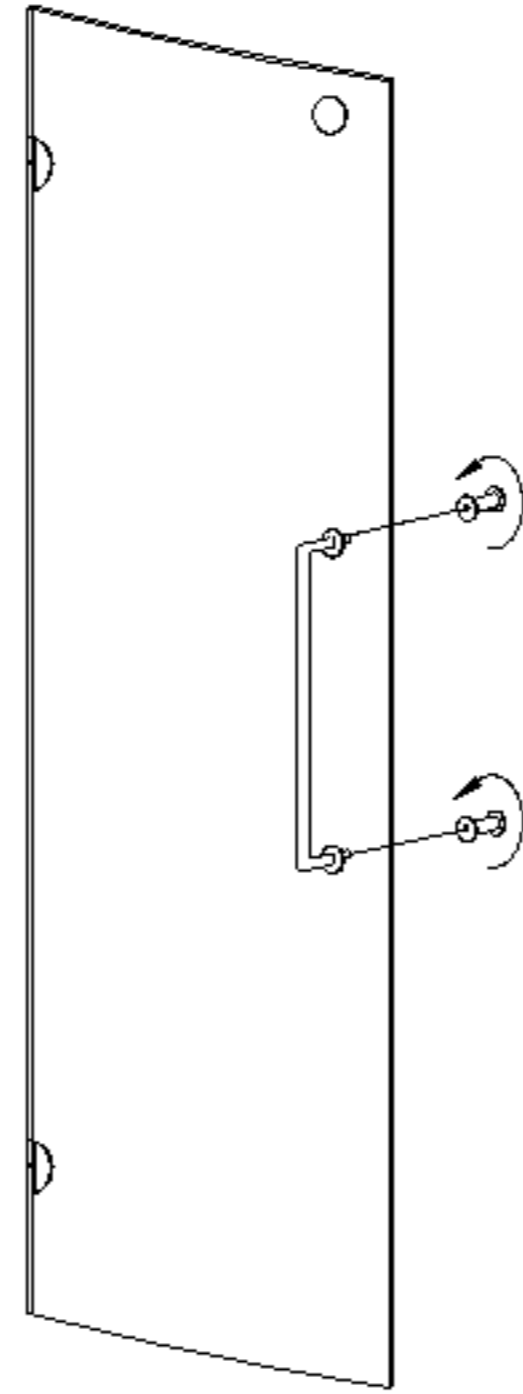
11. Install inside part for front column. Get water supply and power supply connected according to number.



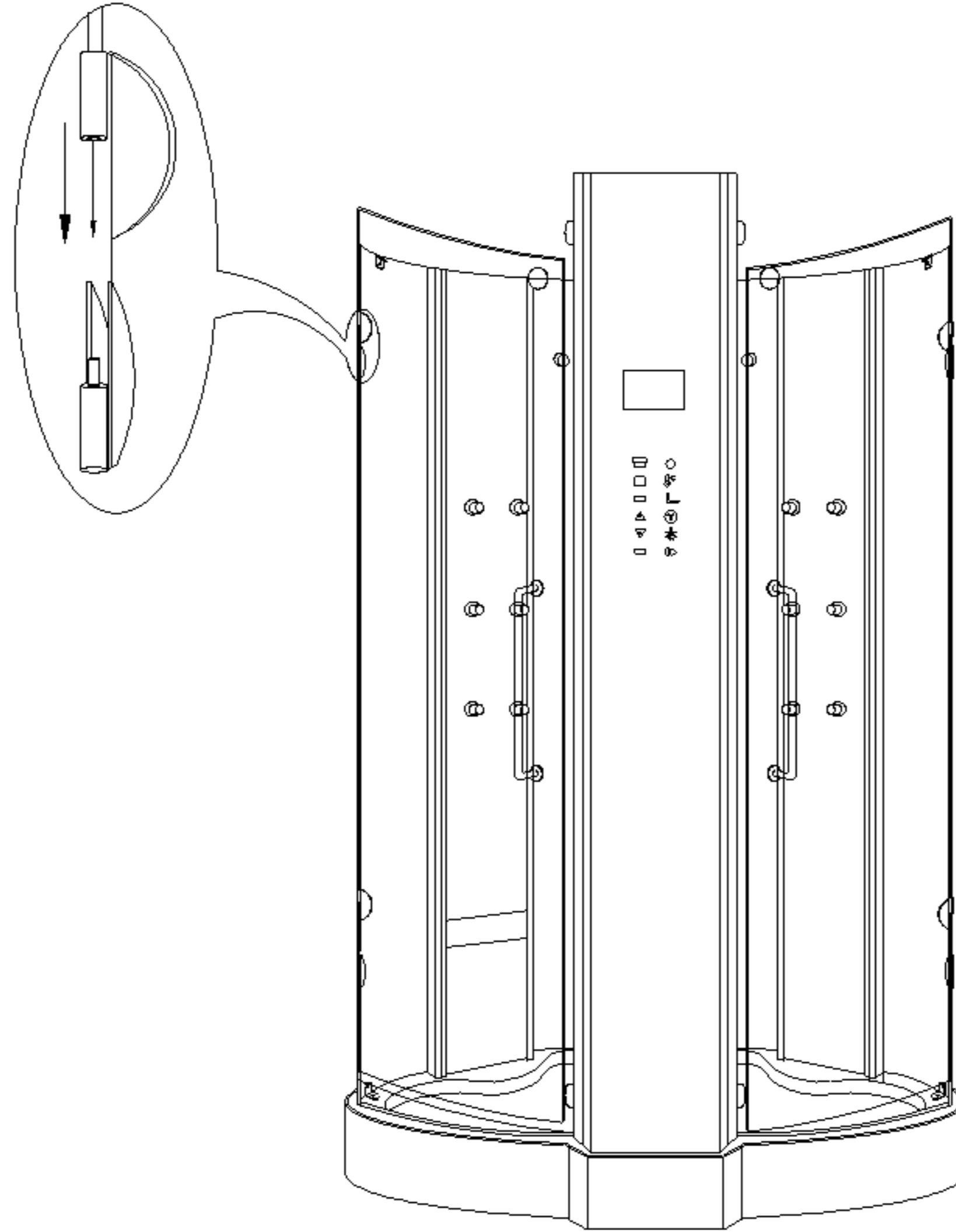
12. Install ceiling shower.



13. Install front part of the column.

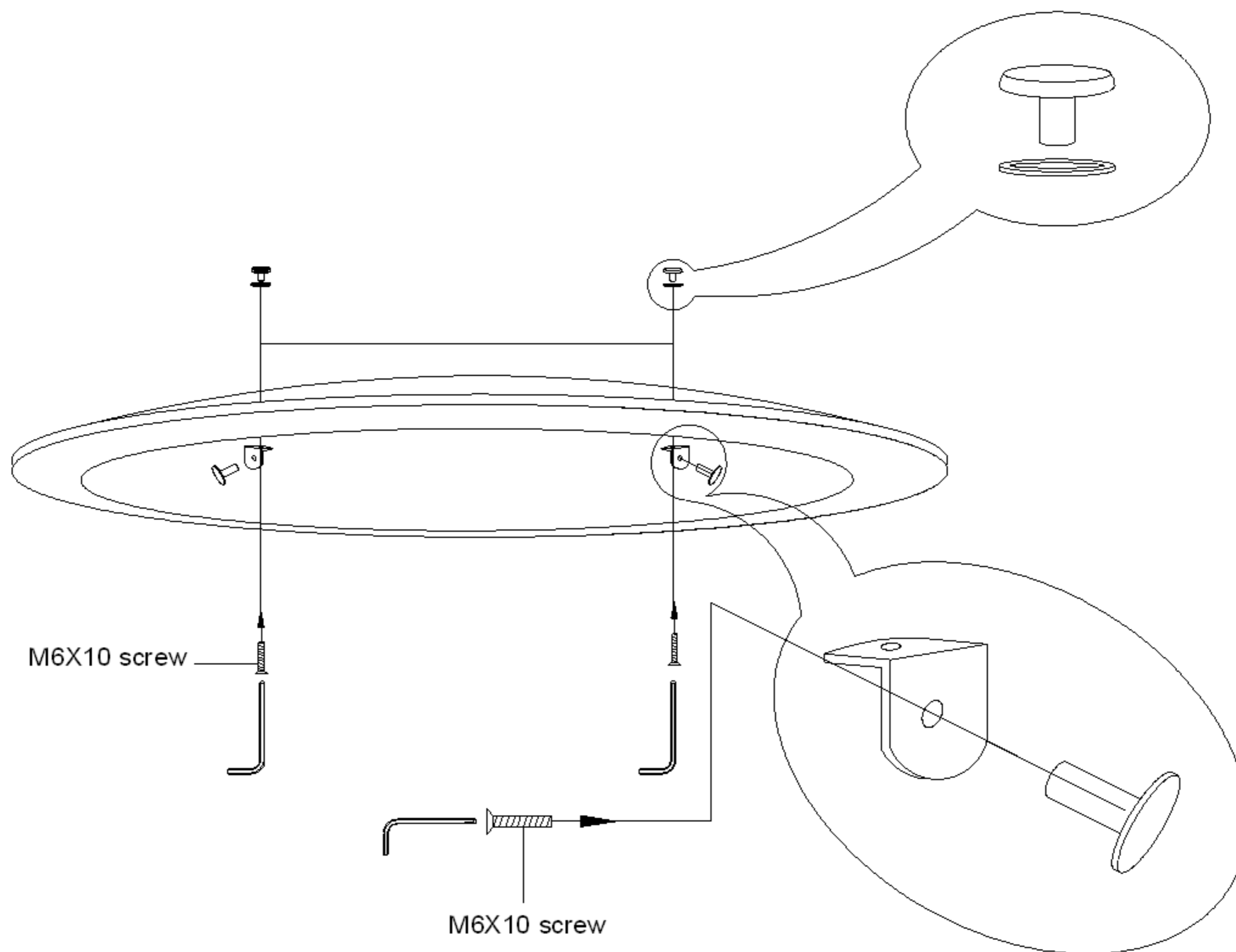


14. Install door handle.

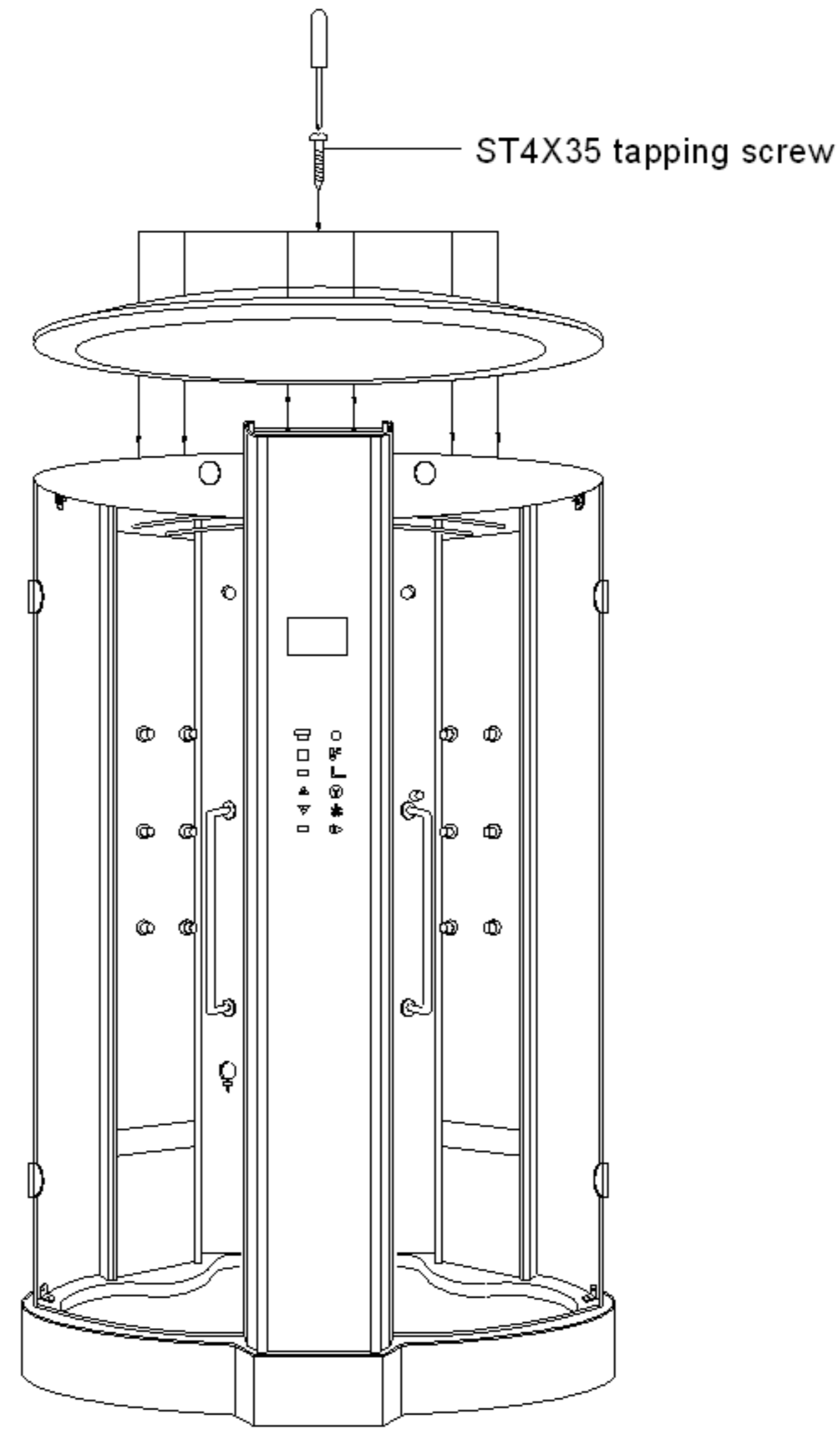


15. Install movable glass door.

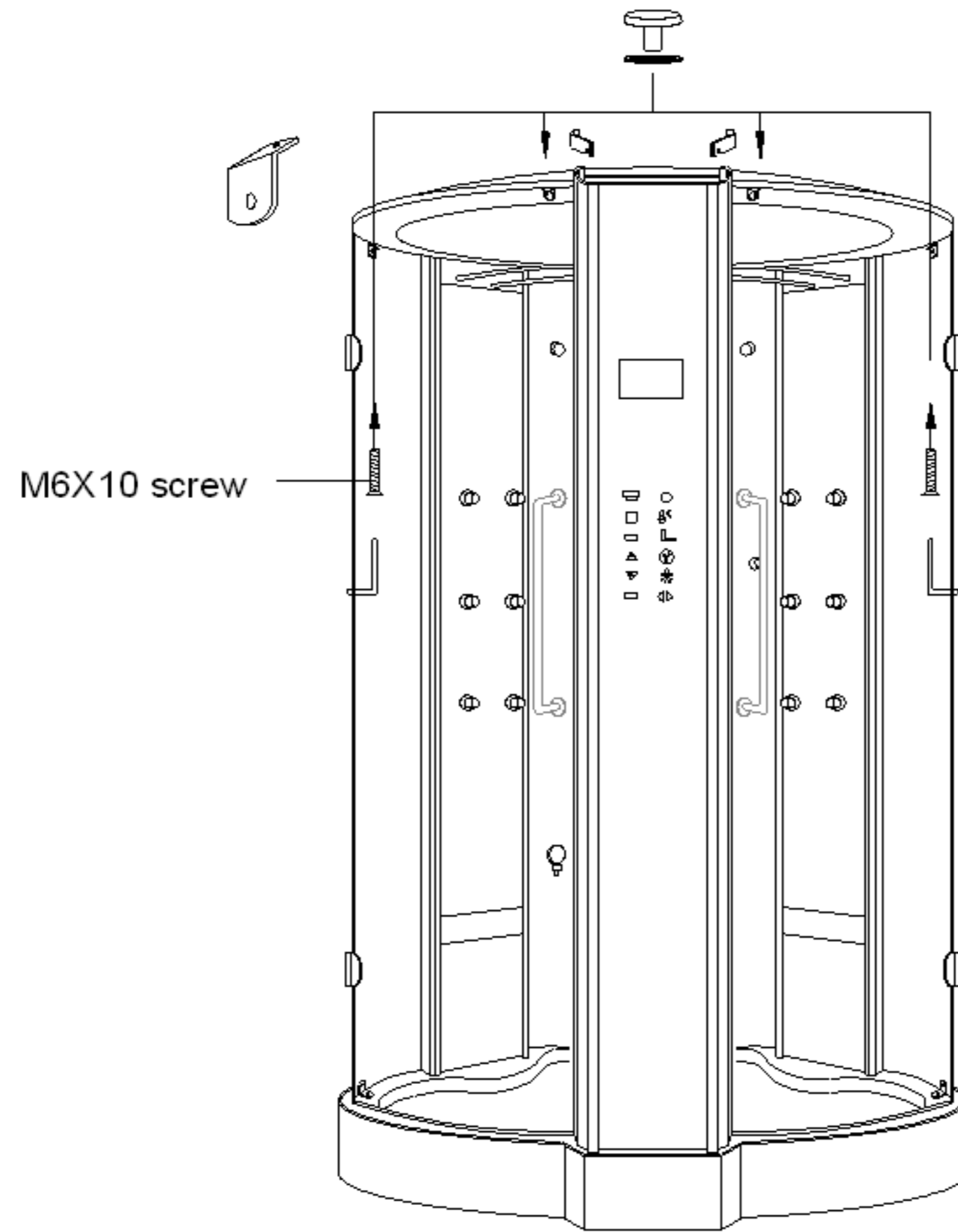




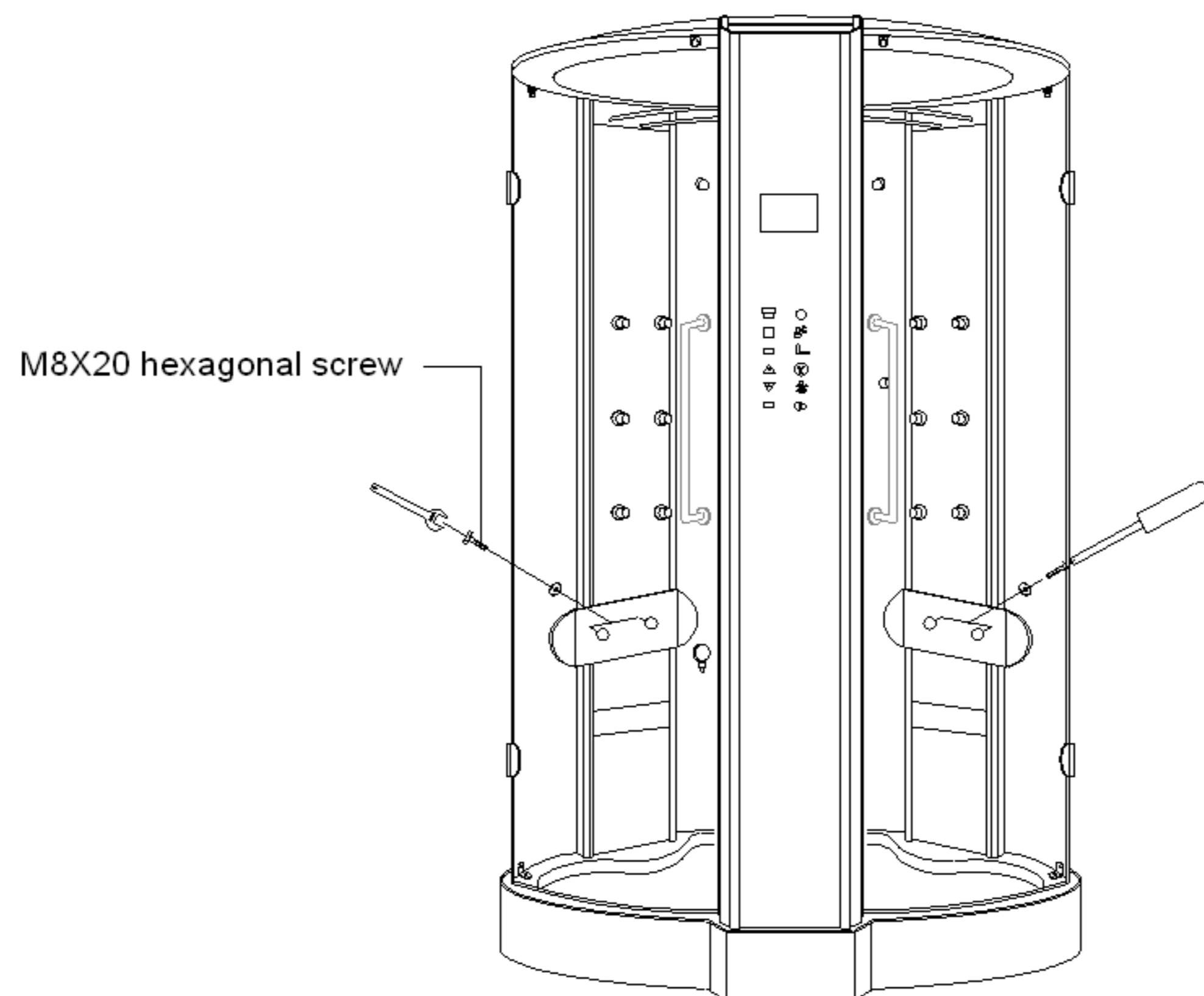
16. Install magnetic cylinder on top cover.

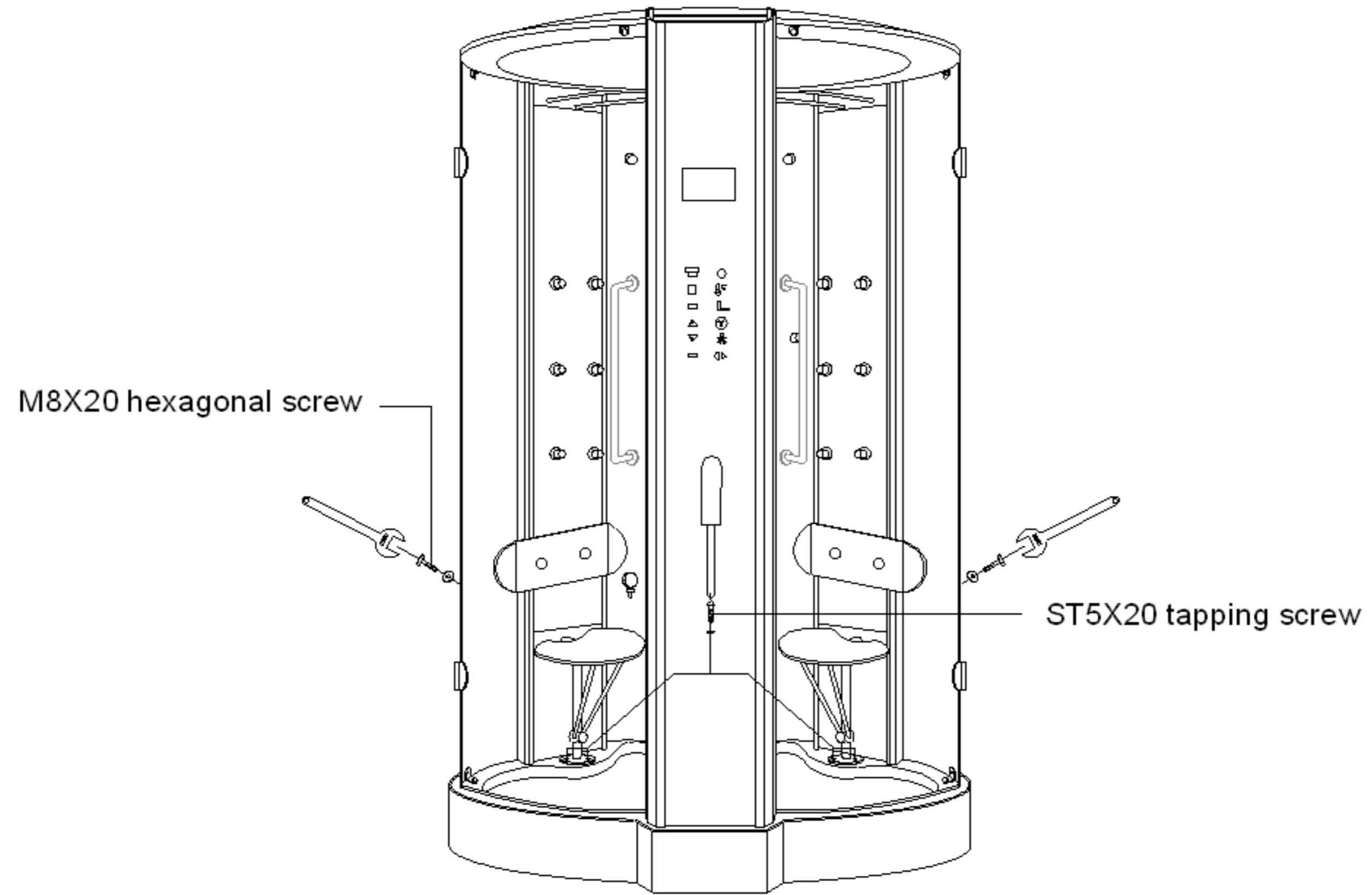


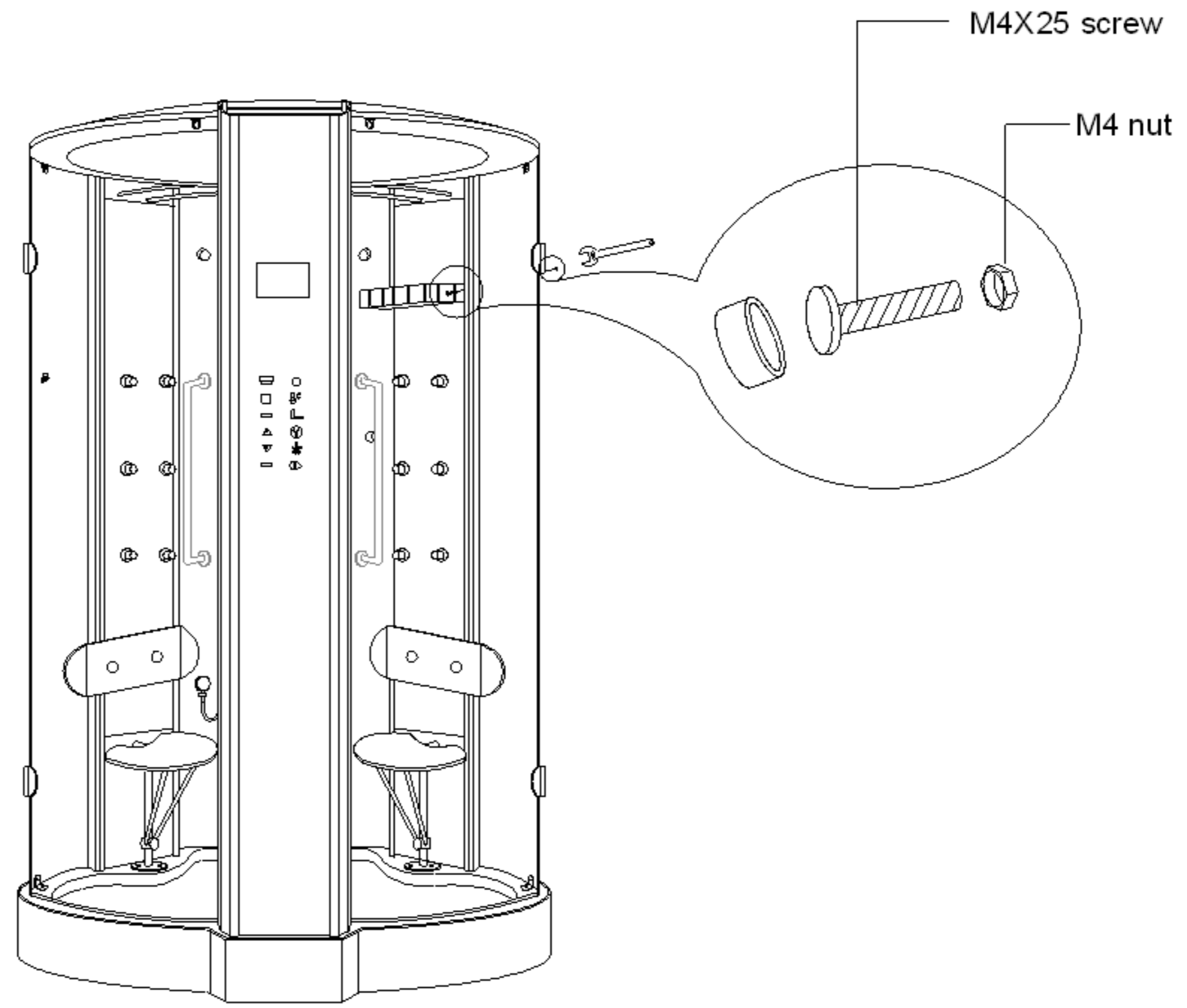
17. Install top cover.



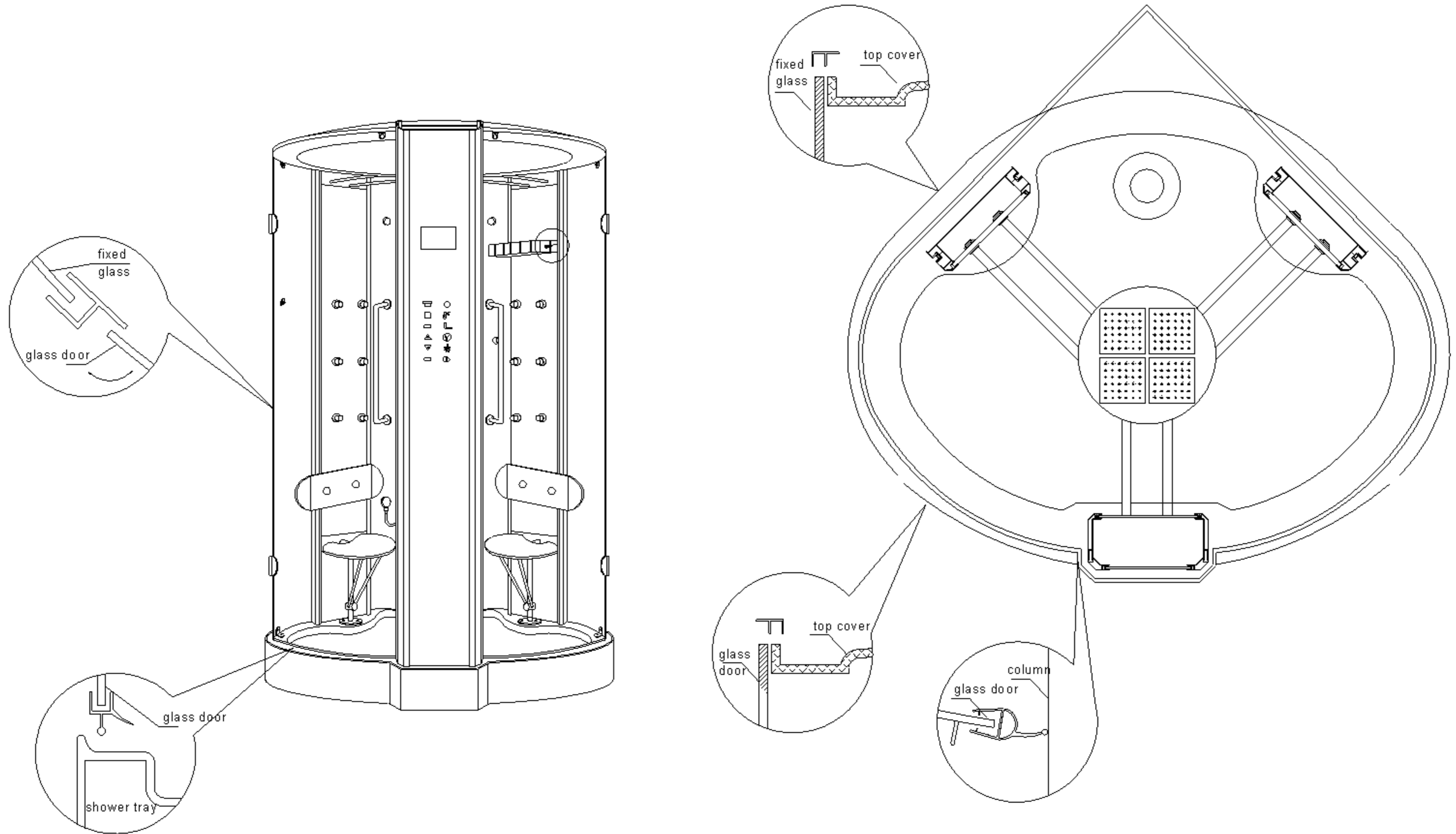
18. Get fixed glass panel and top cover connected. Get decorative aluminum profile wedged into the column.



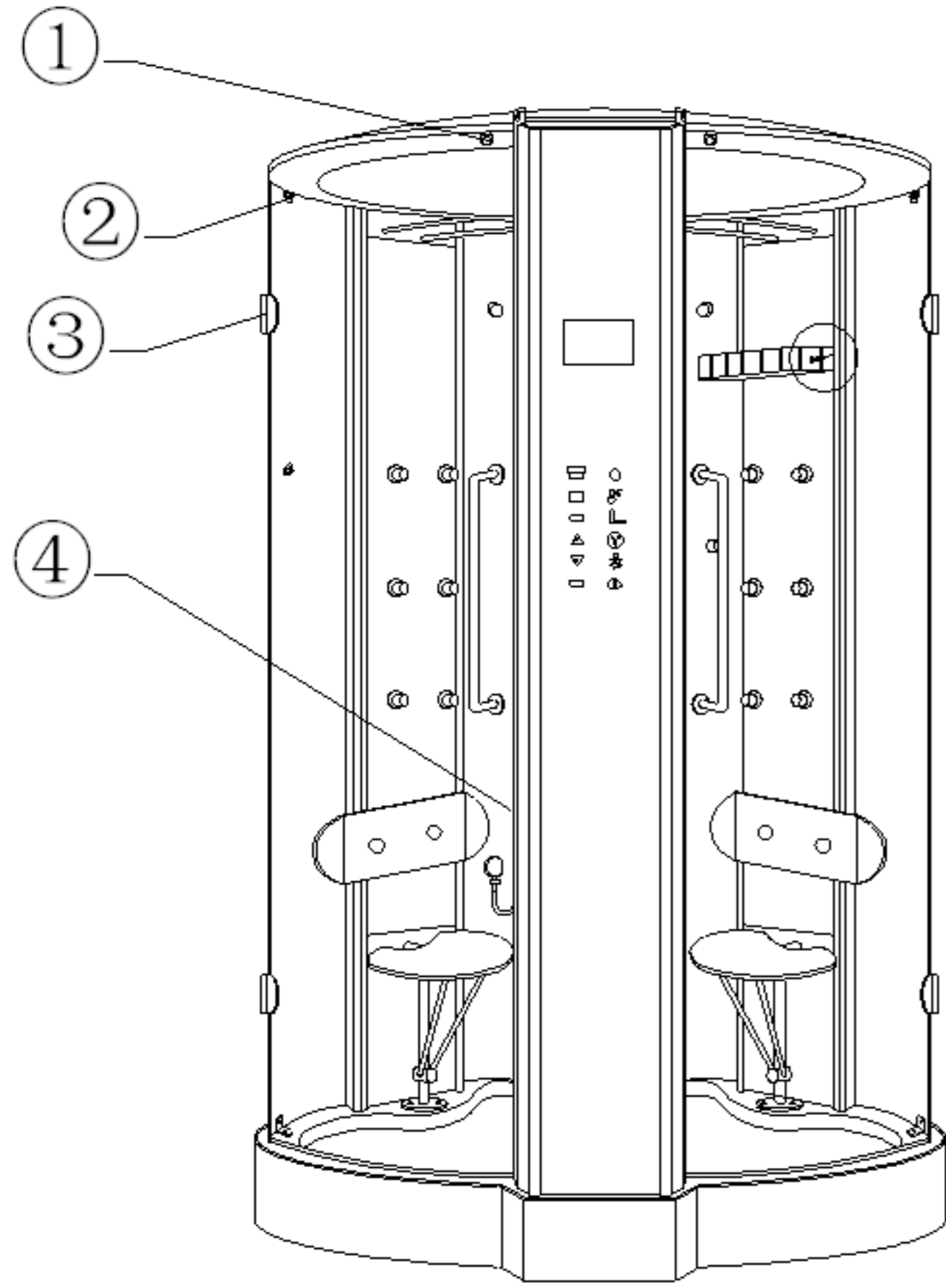




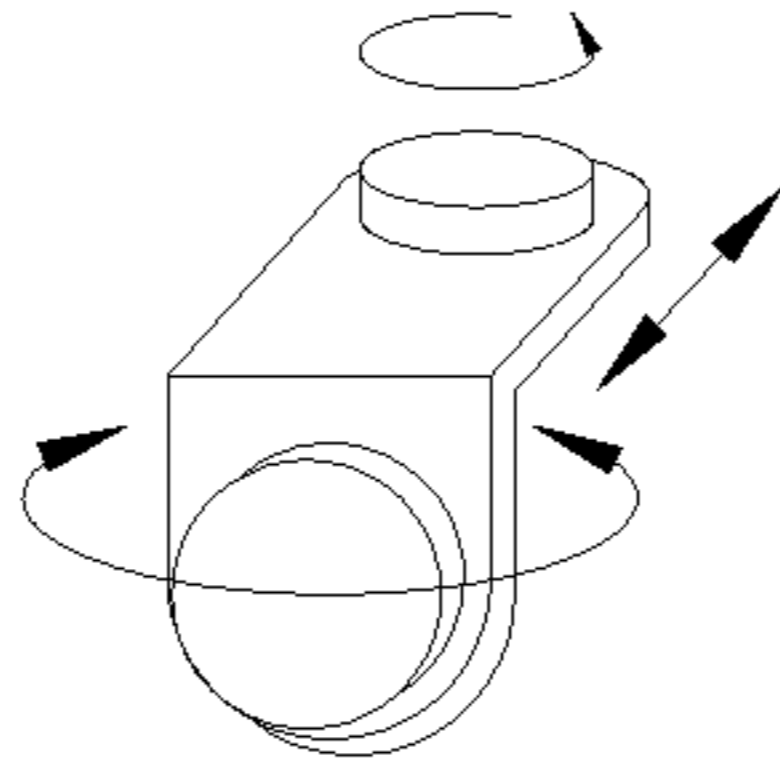
21. Install shampoo holder.



22. Install plastic seal: please install plastic seal as per picture shows to avoid water leakage and steam leakage.

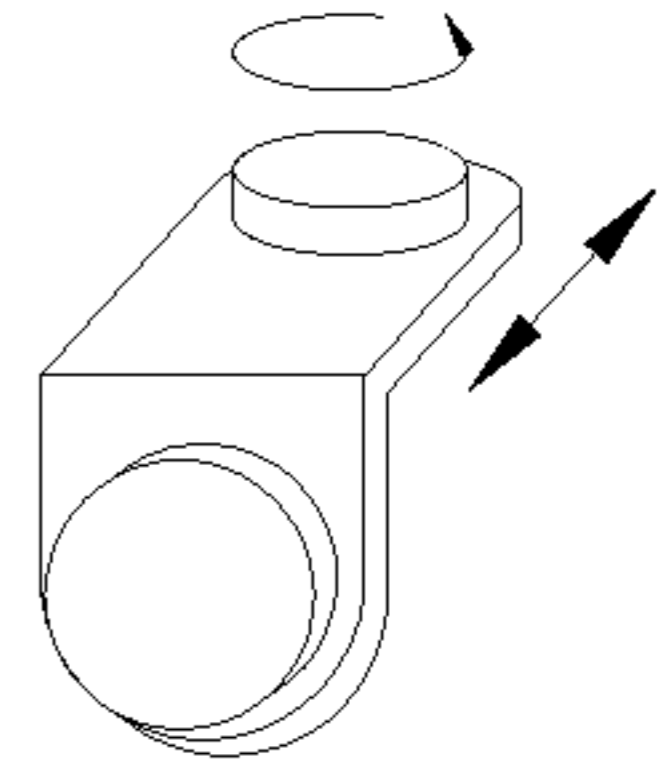


①



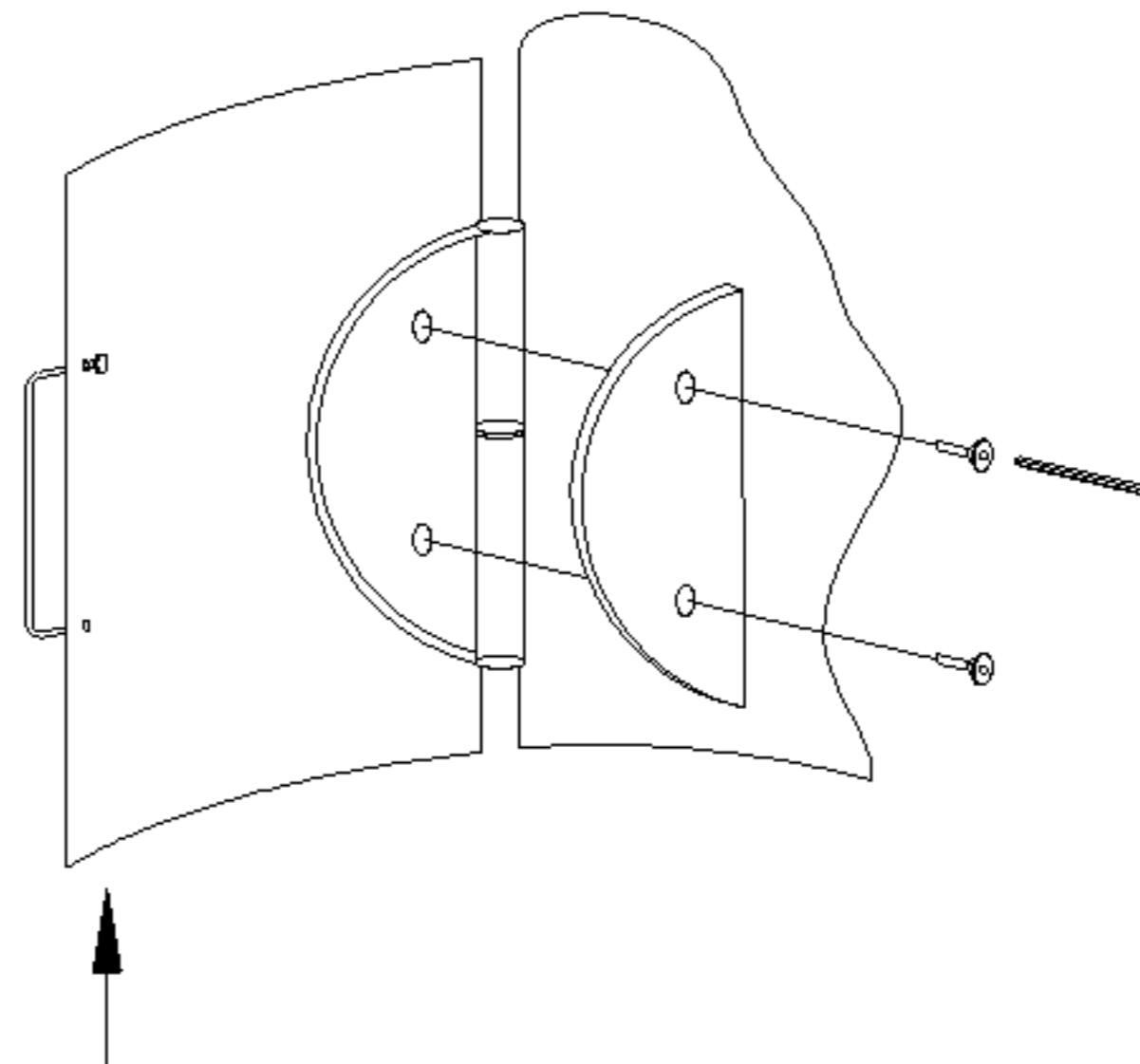
adjust magnetic cylinder

②



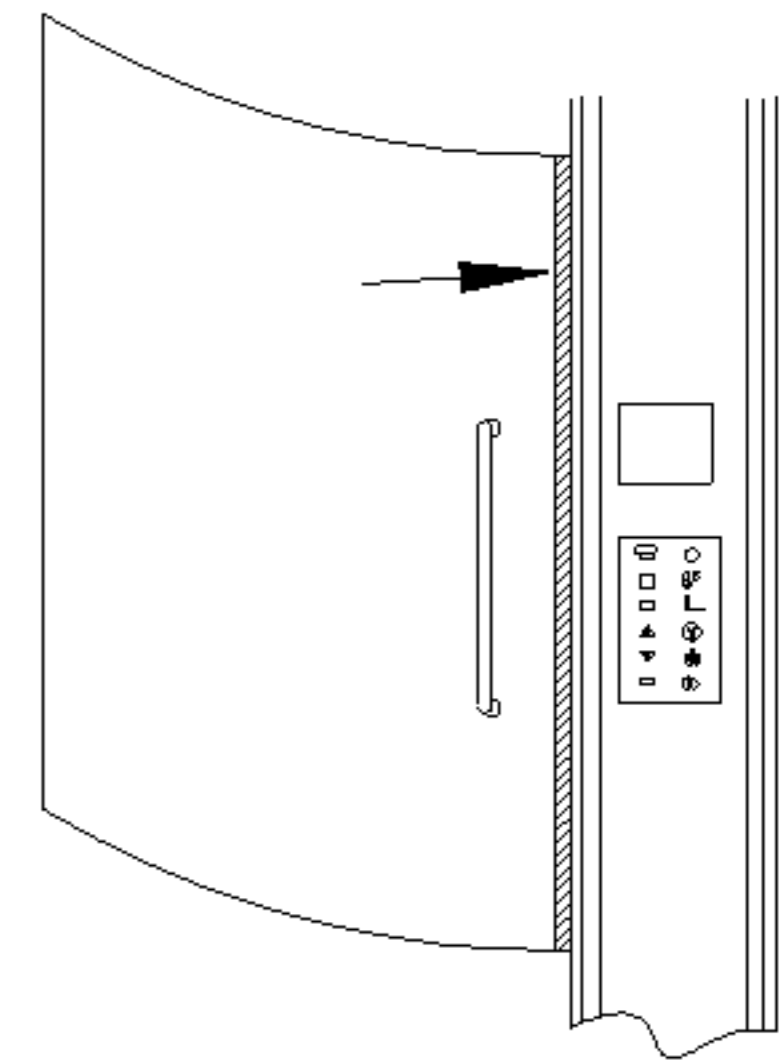
adjust glass clip

③



adjust door hinge

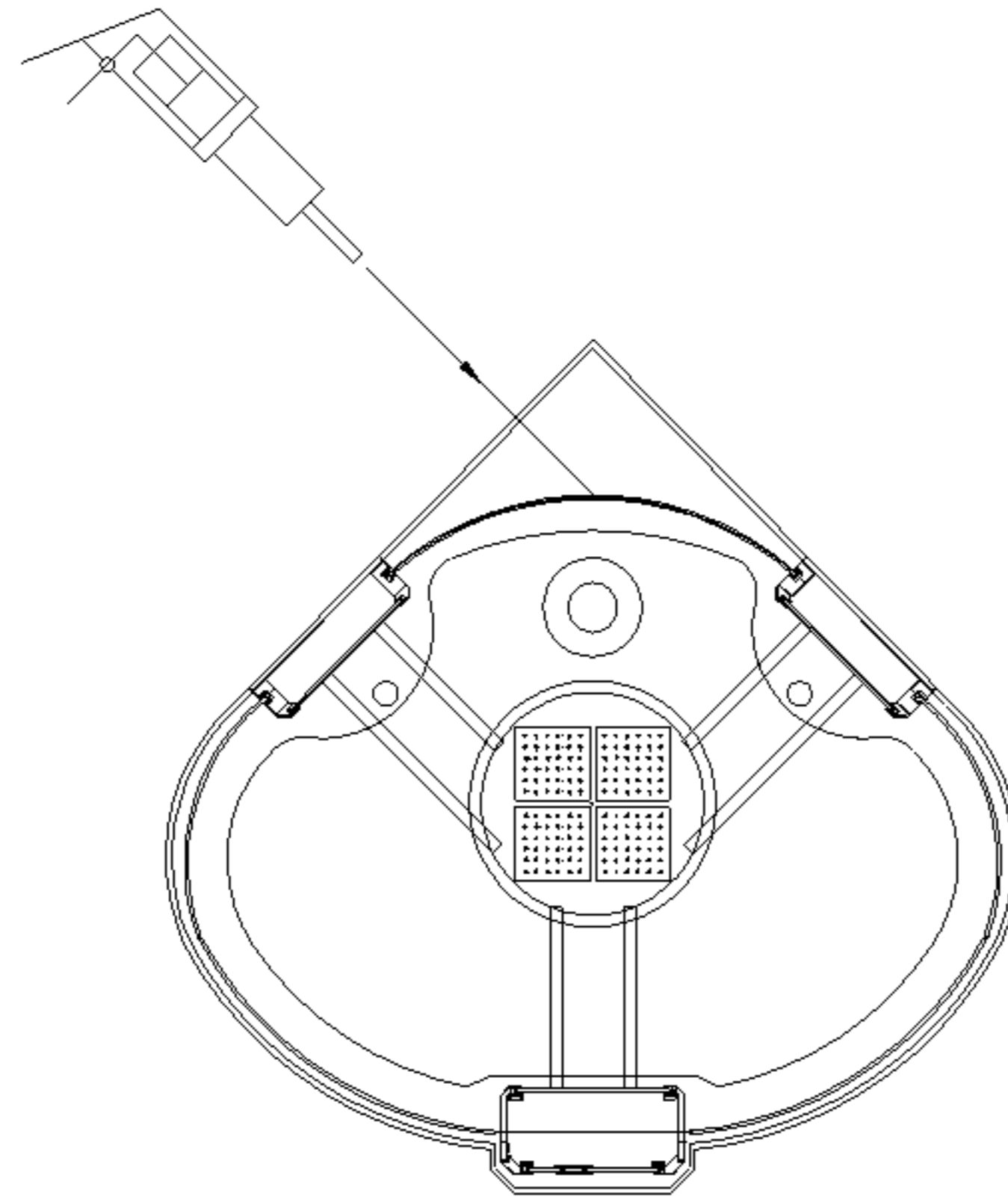
④



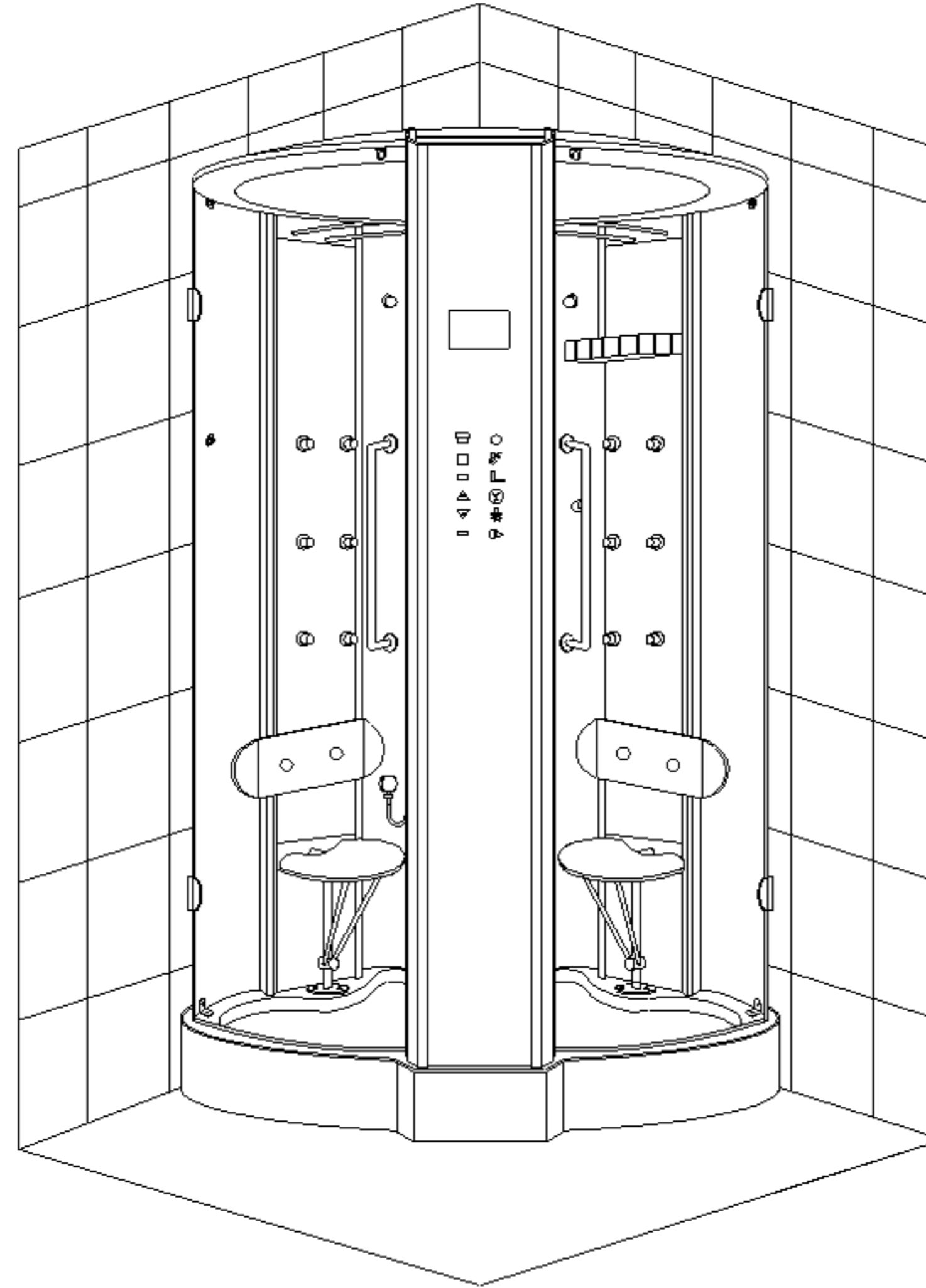
adjust plastic seal

23. Adjust magnetic cylinder, glass clip, door hinge and plastic seal to get removable doors well closed.





24. Put on silicone at the back of glass panel.



25. Get water supply and power supply connected and push the steam room against wall. No use within 24 hours until the silicone is completely dry.