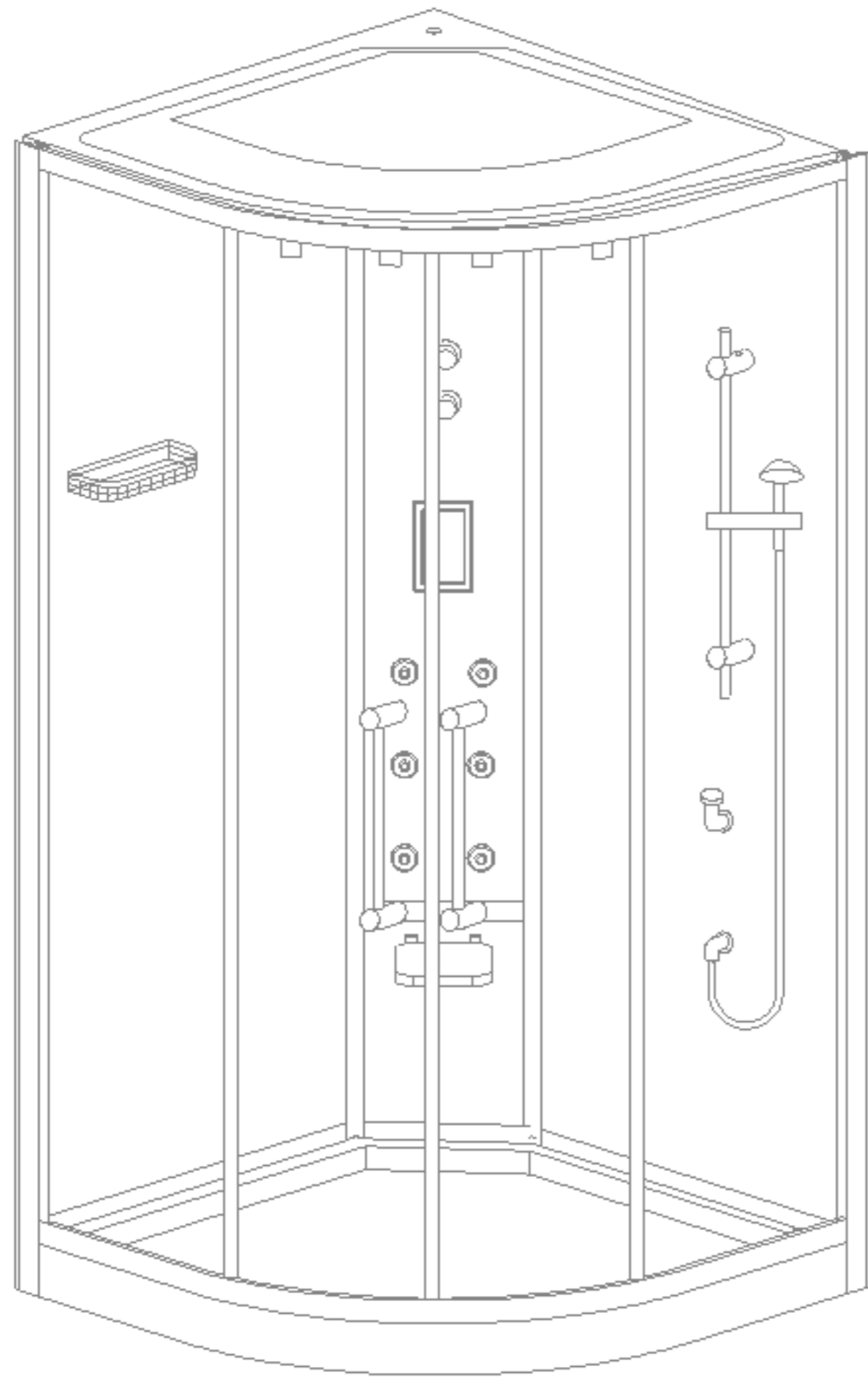
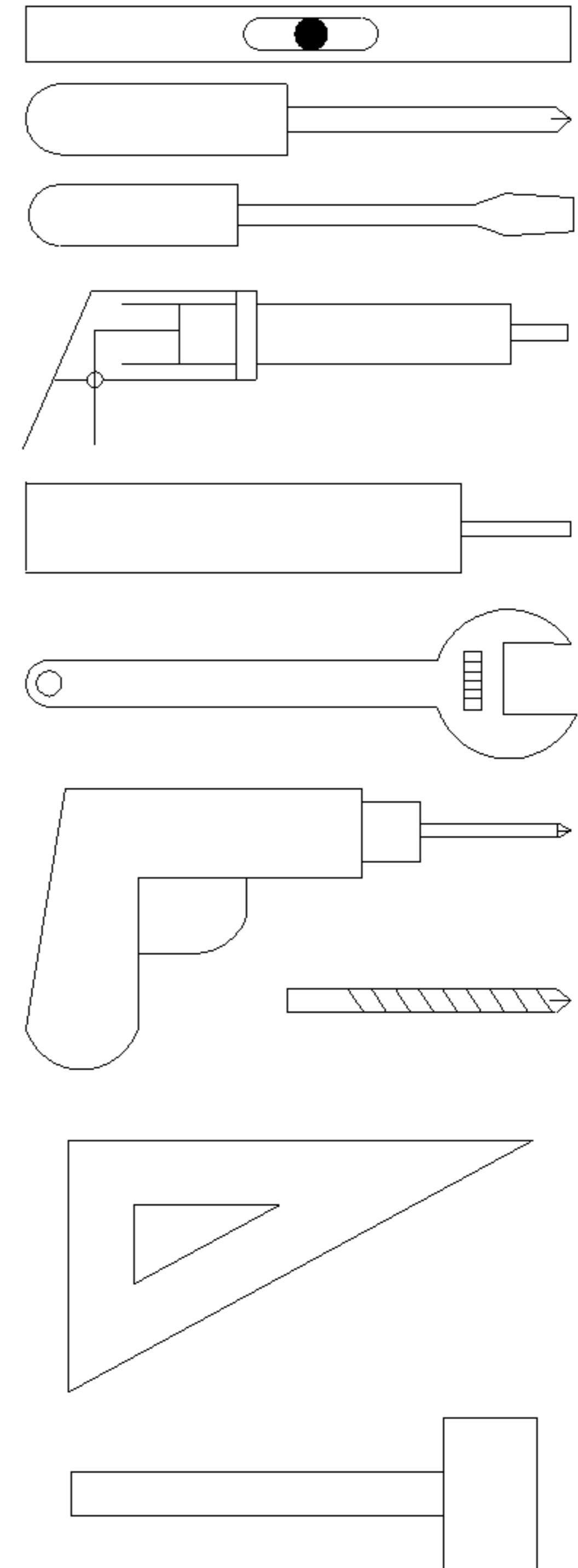
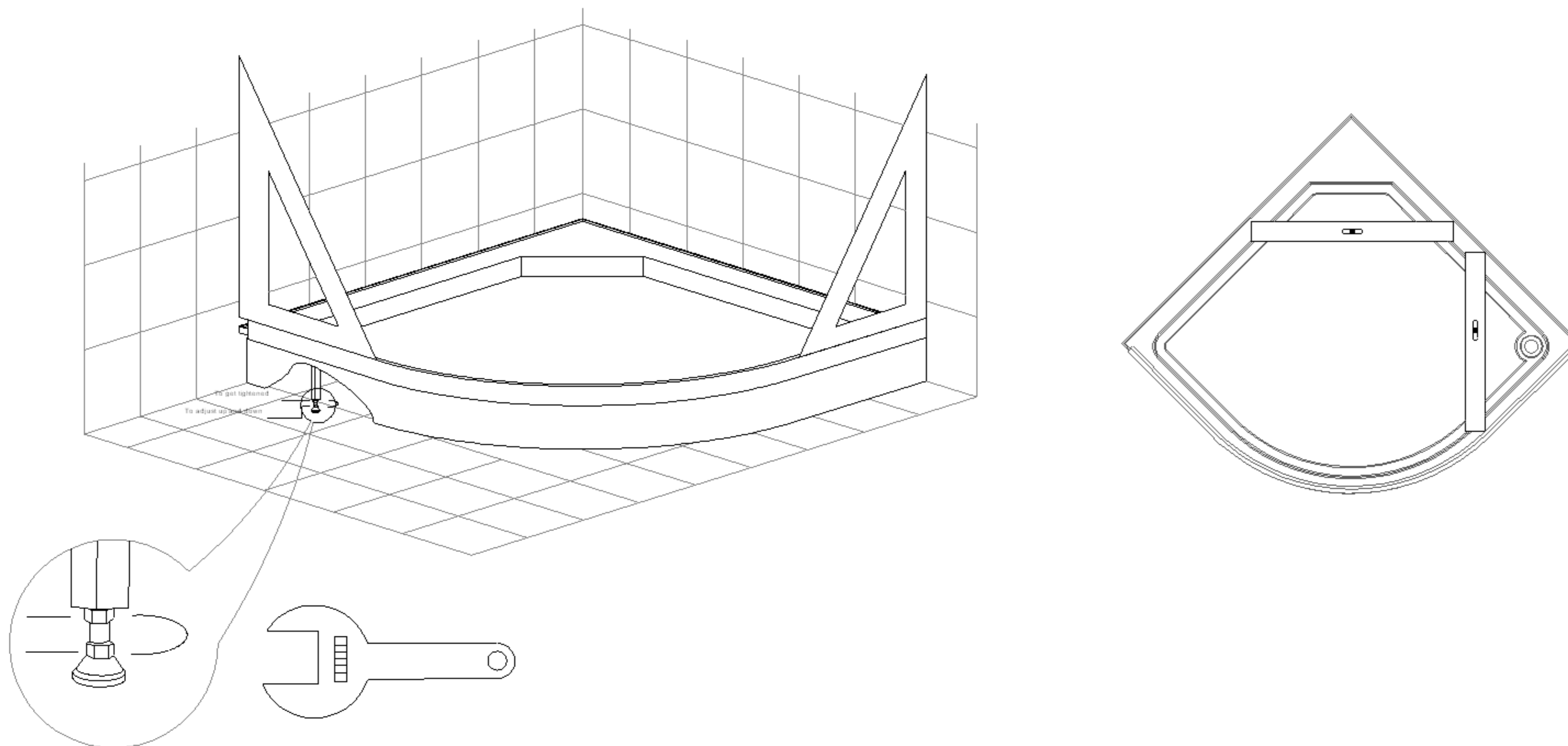


Installation Instruction
(No fixing to wall)
(WS\WR101, 102, 103, 105)



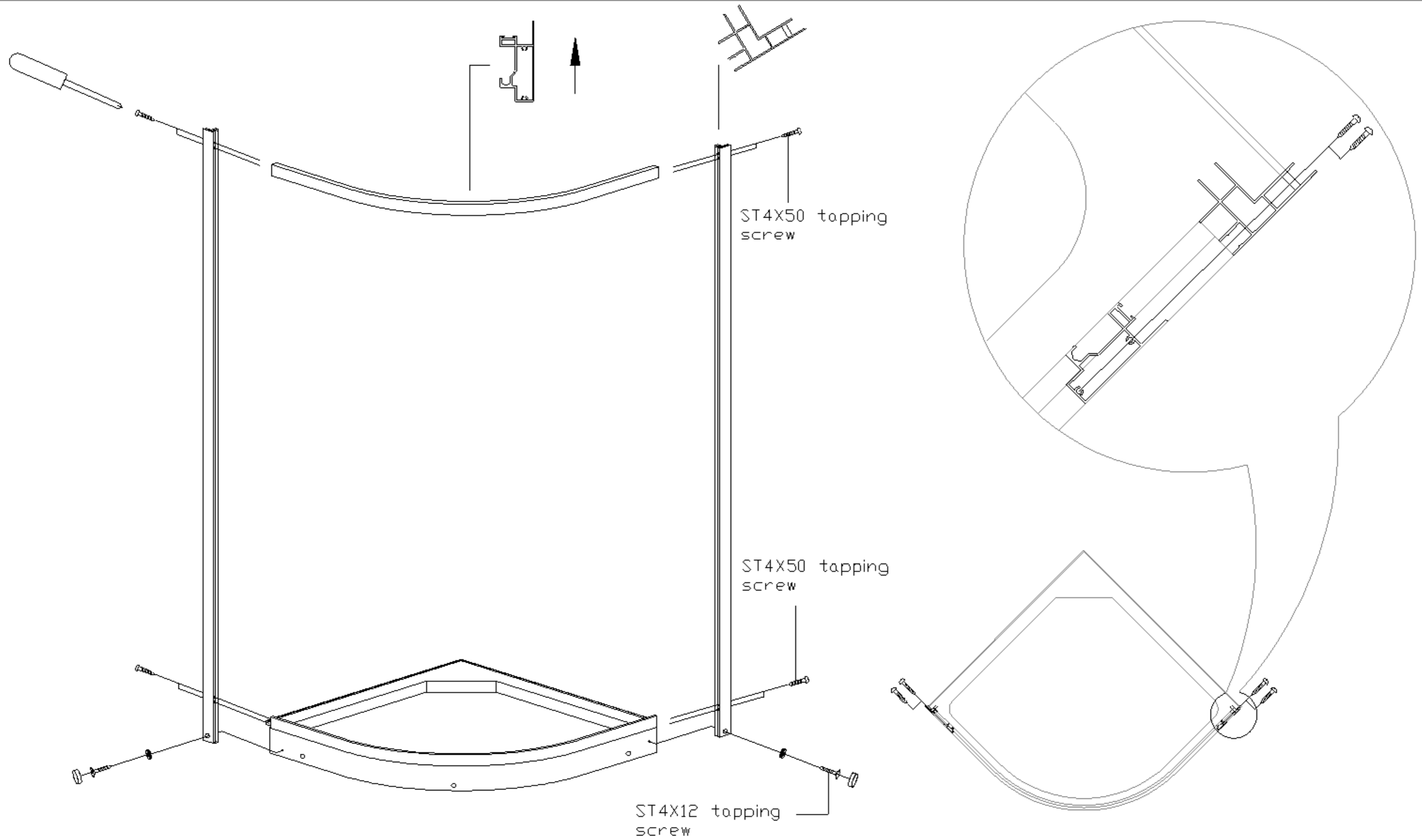
1. Tools used: gradienter, screwdriver, glue gun, glue, spanner, electric drill, $\phi 9$ aiguille, triangle ruler, hammer





2. Adjust the legs of shower tray:

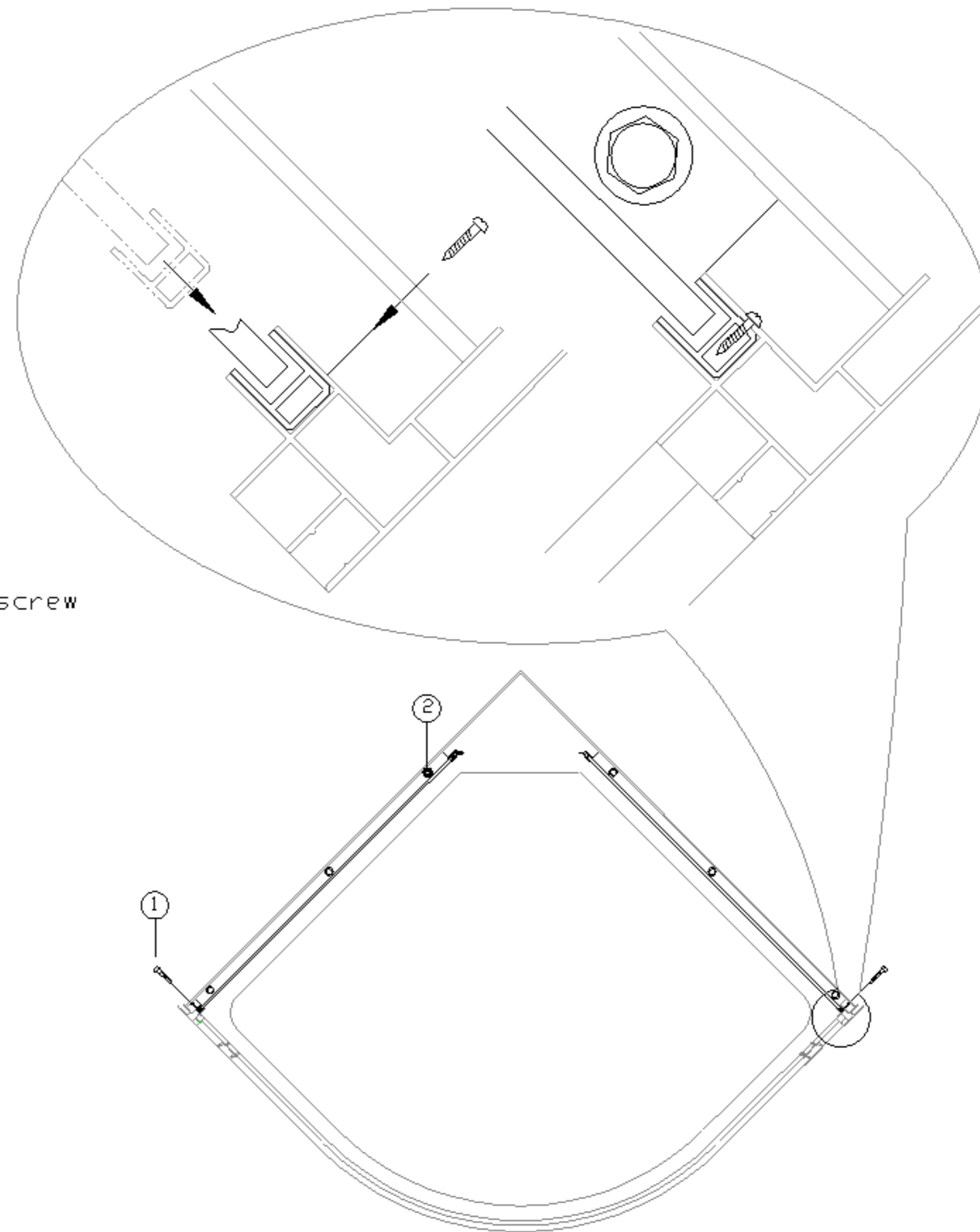
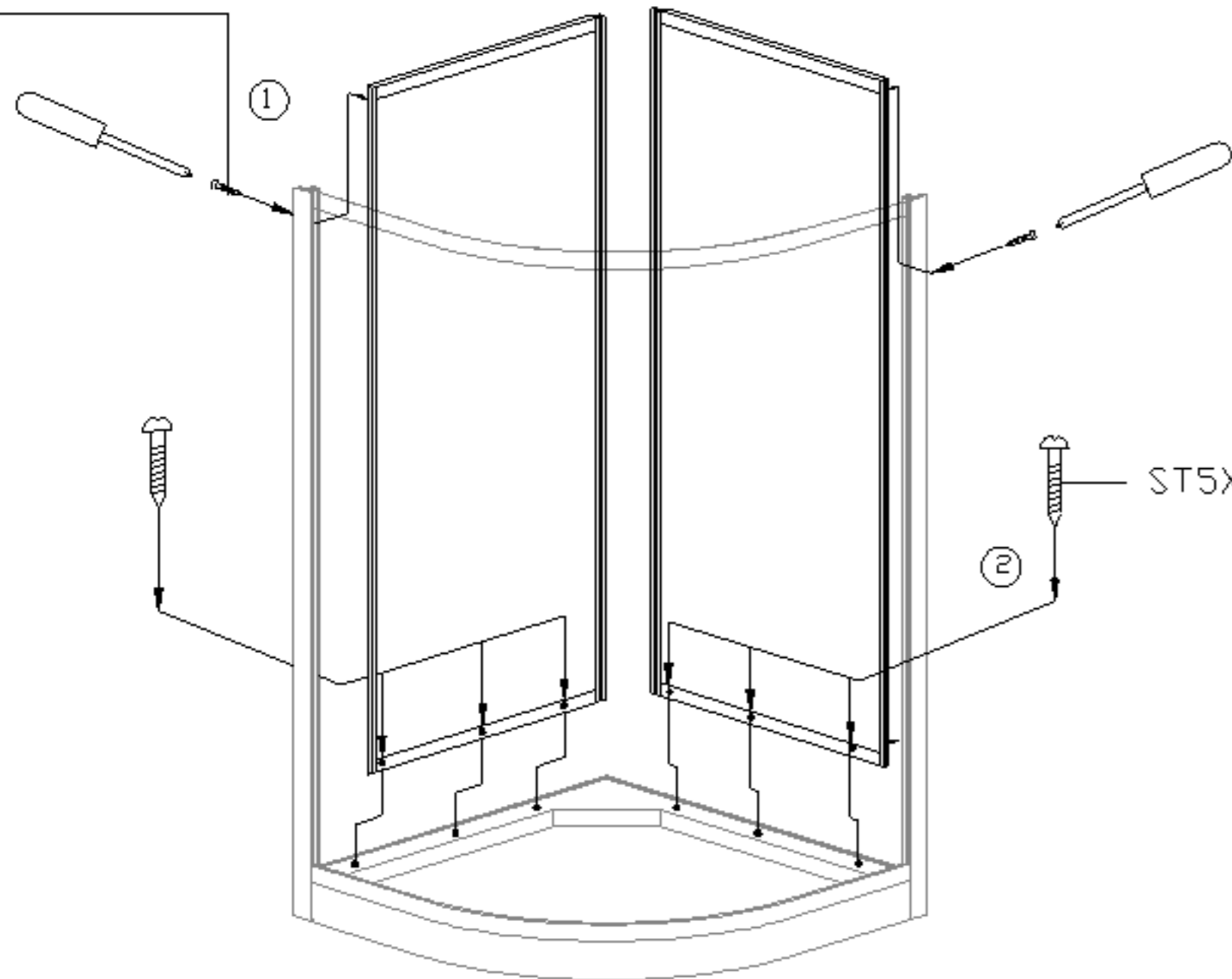
Adjust the shower tray to make sure the upper surface of the track is vertical with the wall. The upper side of the shower tray shall be level and all the legs shall reach the floor.



3. Install the door frame

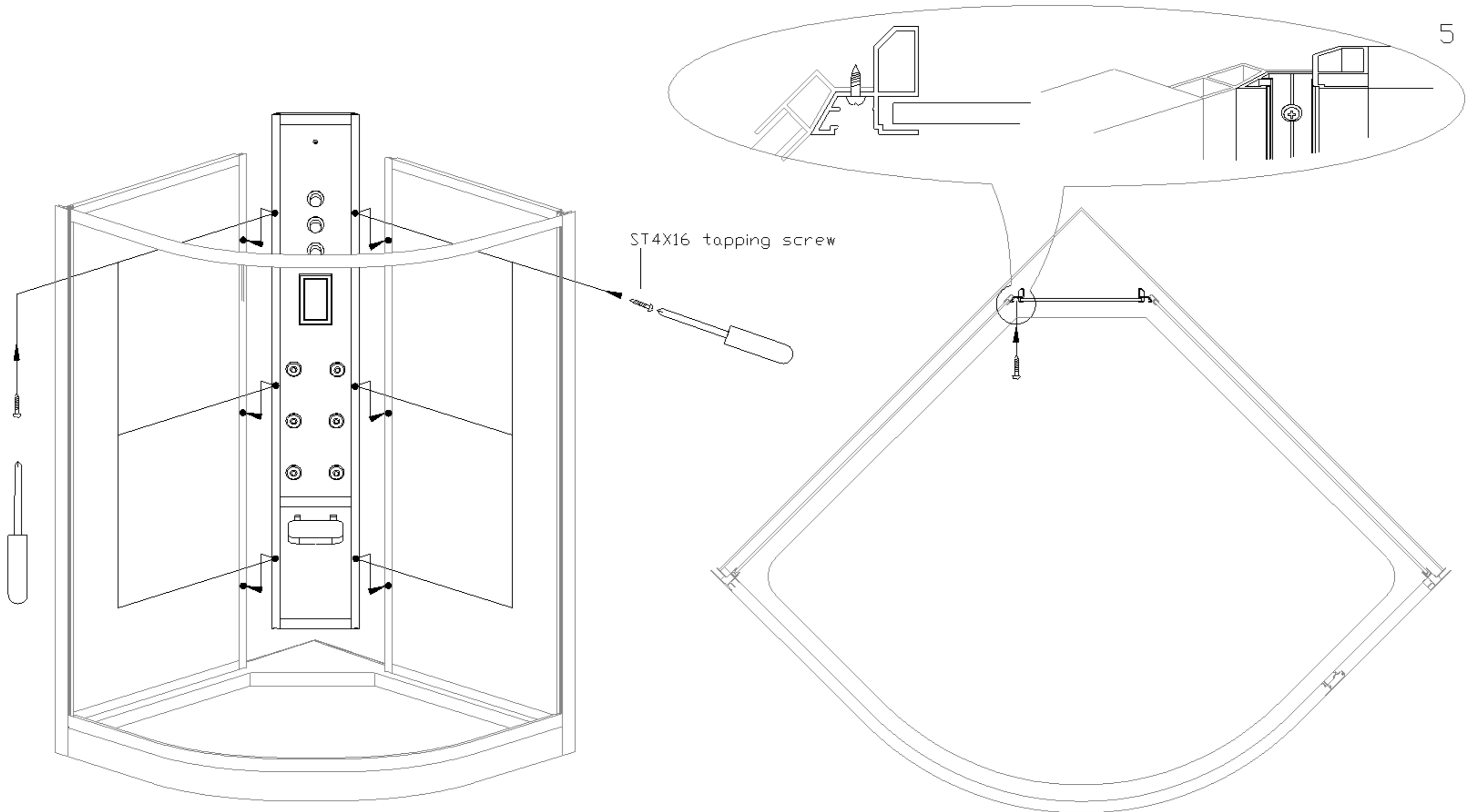
- ① Get the door frame connected to the shower tray.
- ② Get the door frame aluminum profile connected to the upper track.

ST4X12 tapping screw



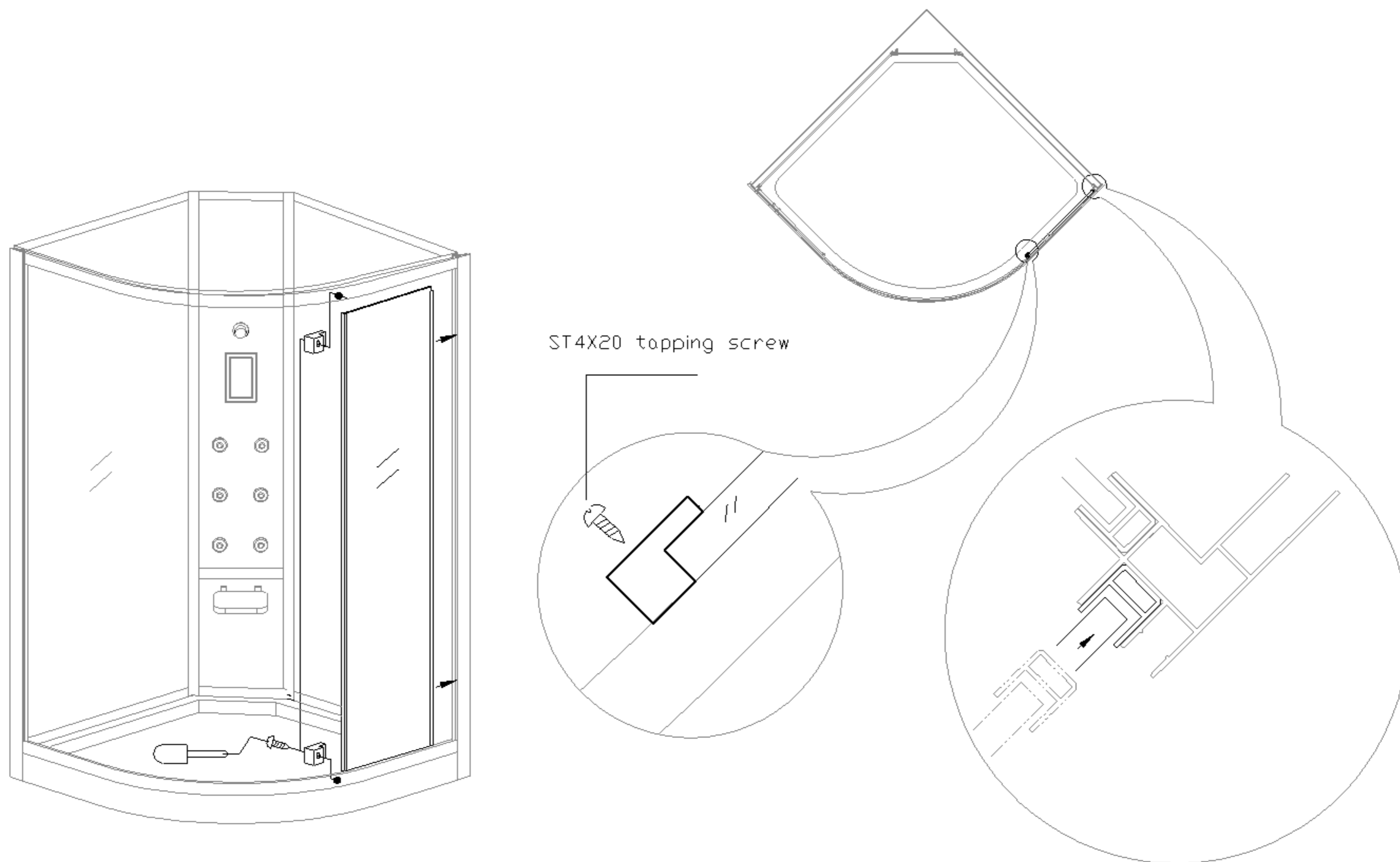
4. Install side back wall to the cabin

- ① Get the glass wall into the door frame and get it fixed with tapping screws.
- ② Fix the glass wall onto the shower tray.



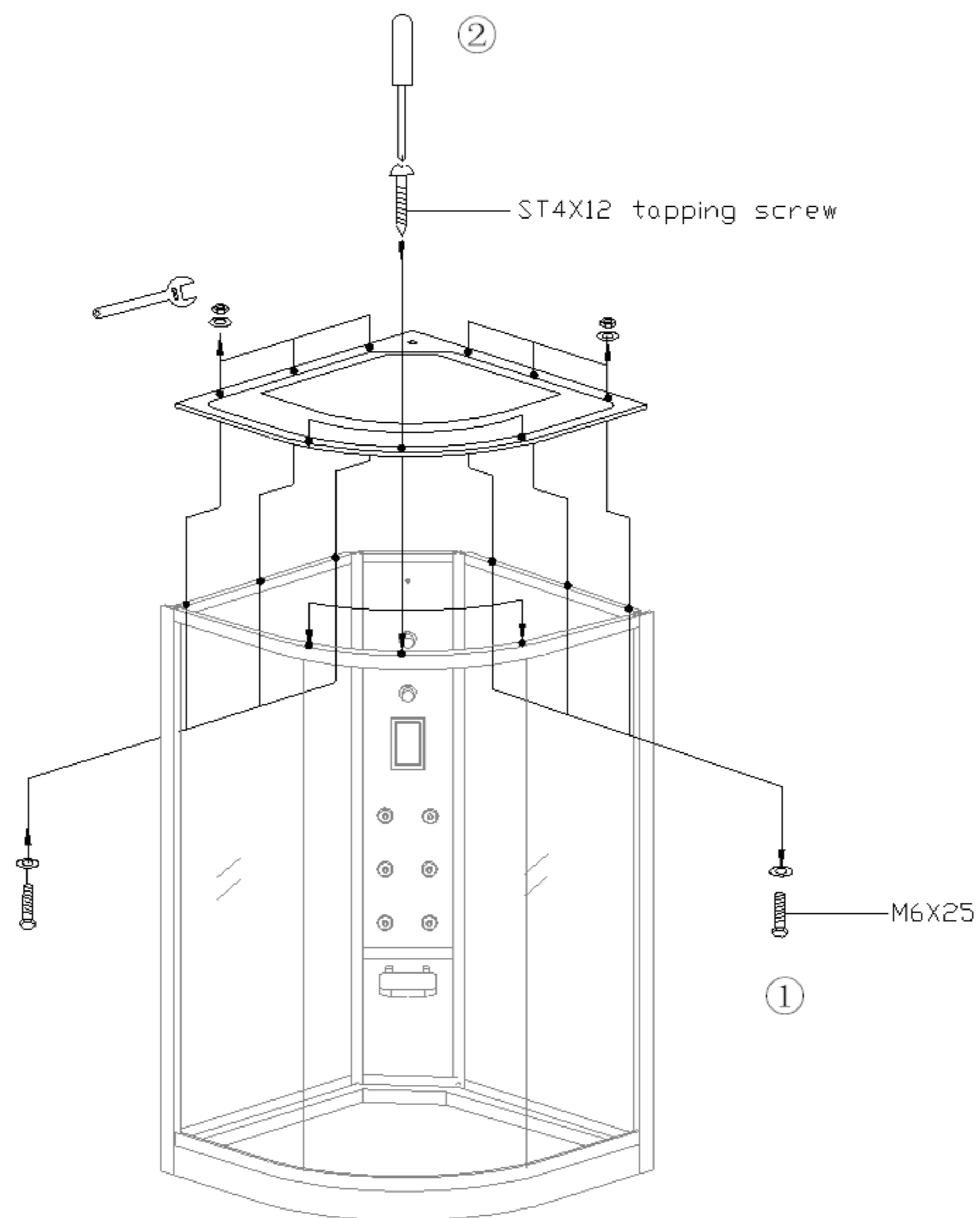
5. Install the middle back panel

Get the middle back panel connected to the glass back wall with tapping screws.



6. Install fixed glass door

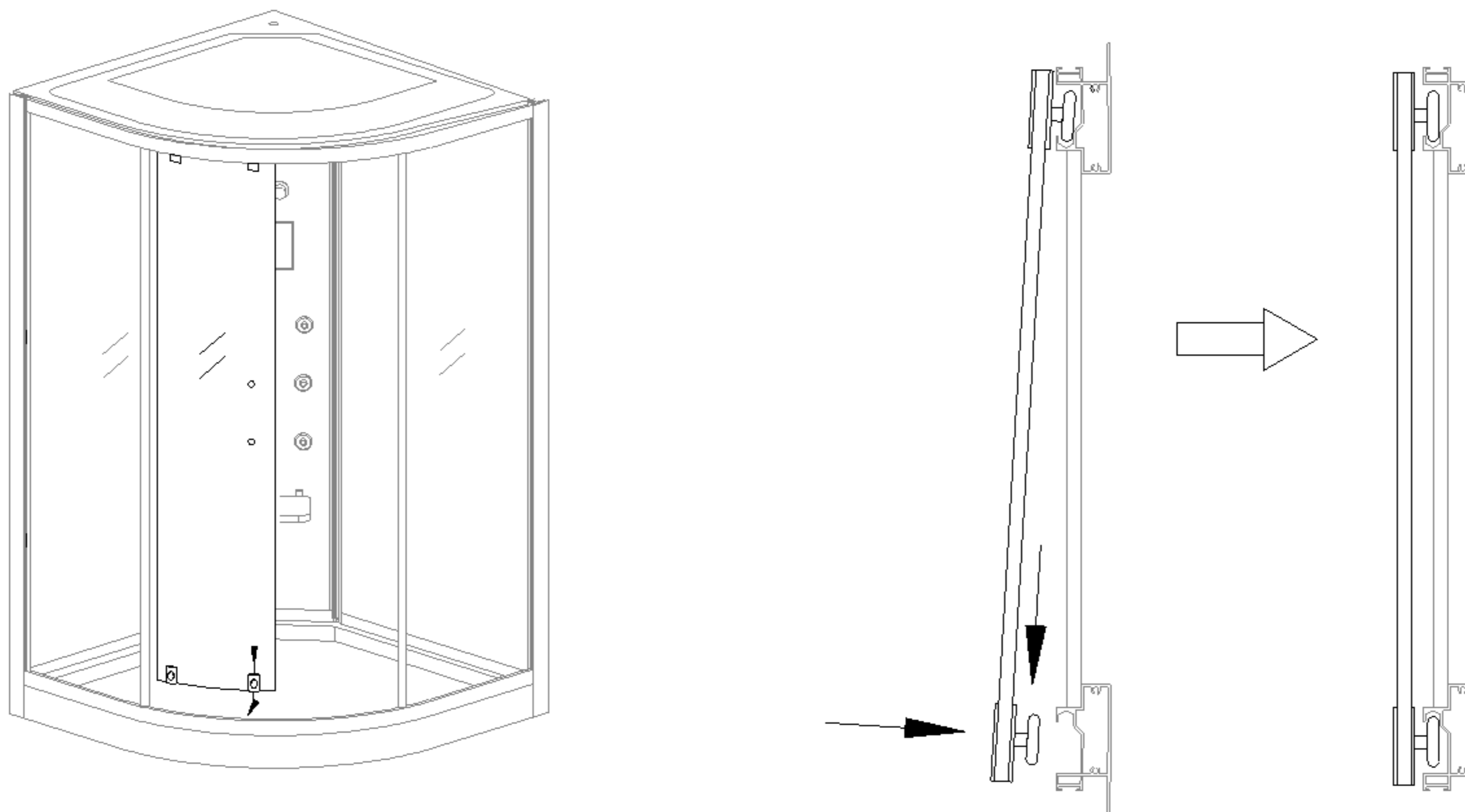
Get one side of the fixed door into door frame. Install the other side of the glass door onto the track with blocks on both ends through tapping screws.



7. Install cover

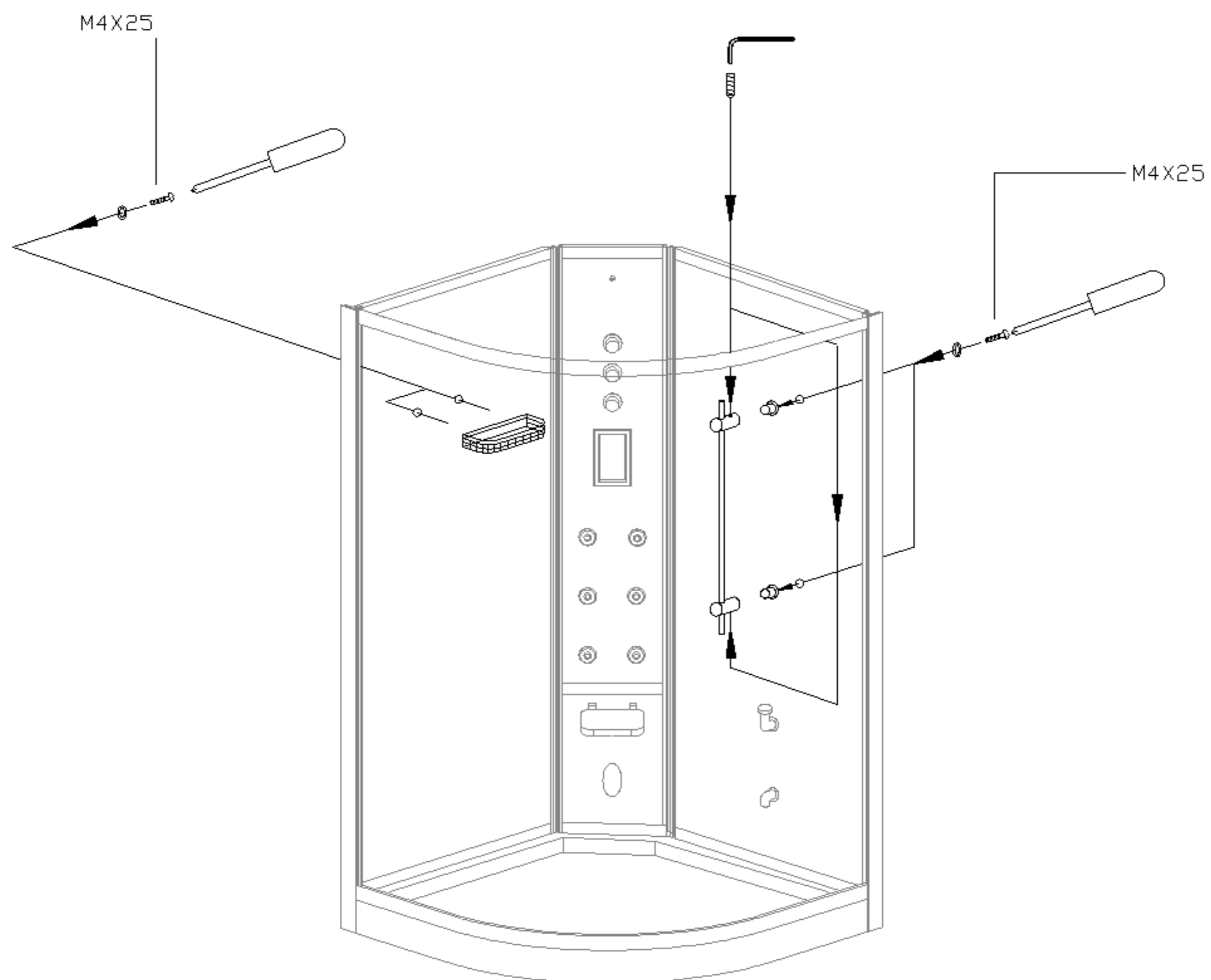
① Get cover installed onto the body of the cabin through screws and nuts.

② Connect cover to upper track with tapping screws.

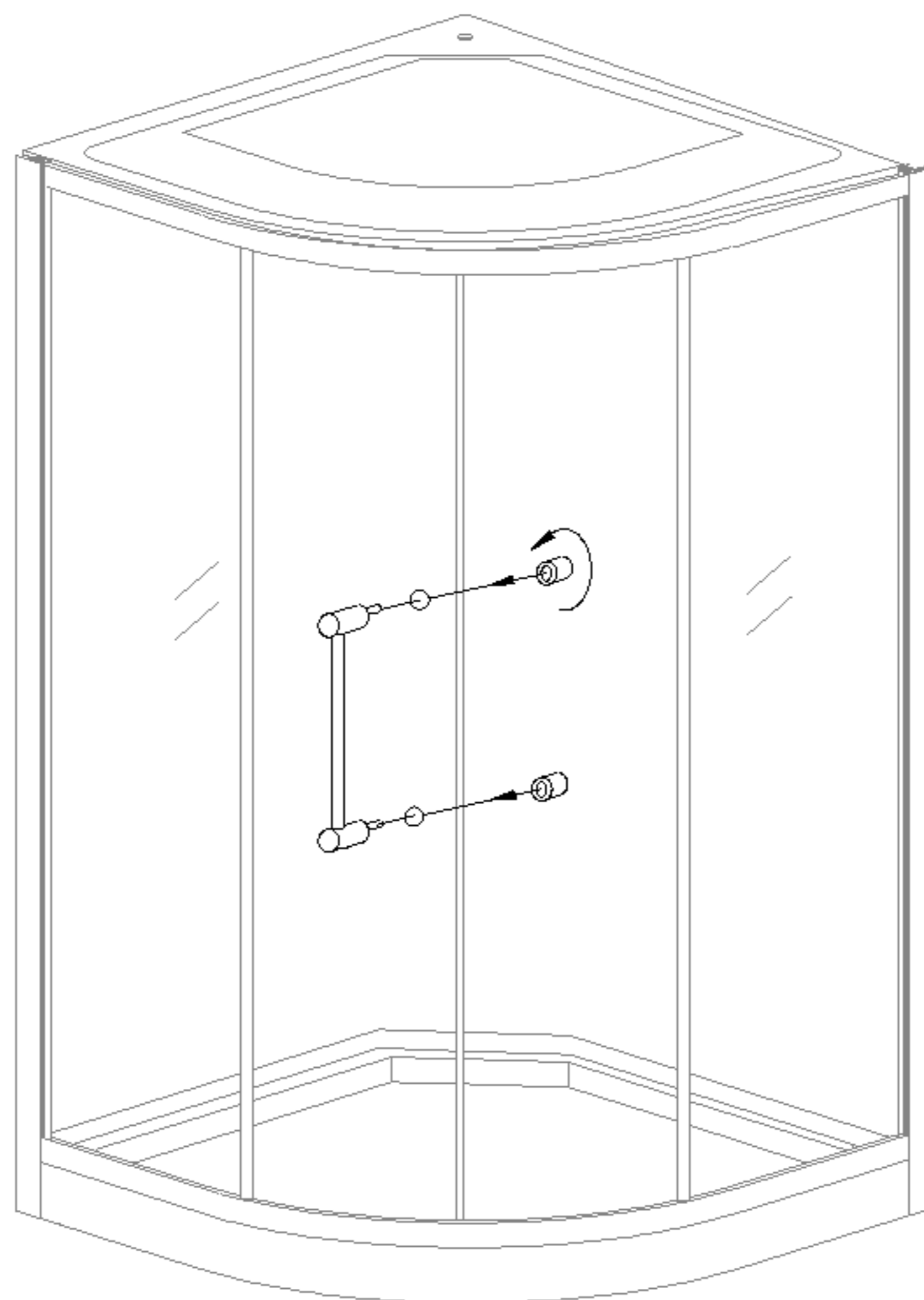


8. Install sliding door

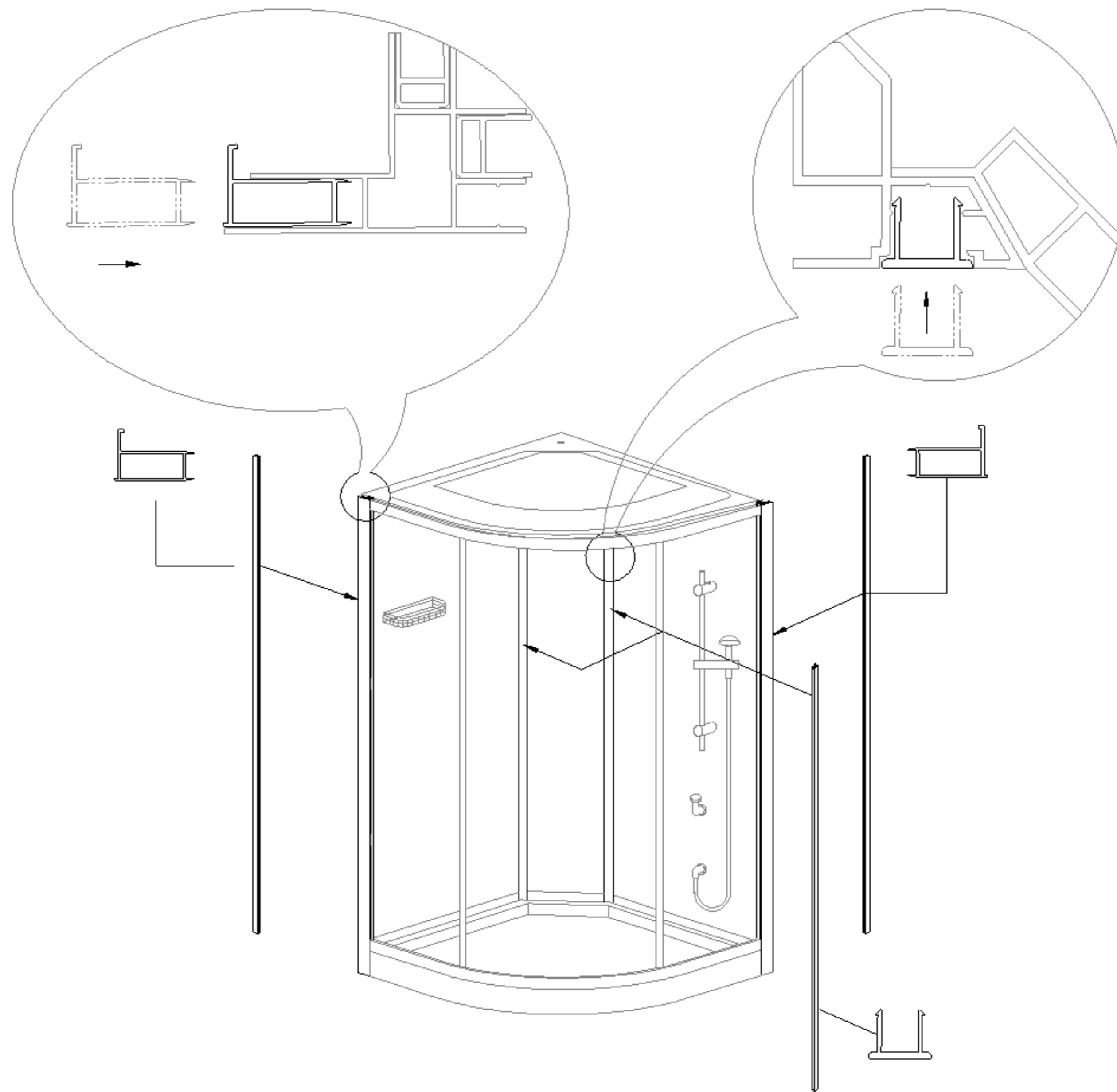
First put the upper wheels of the sliding door into the upper track. Then push down the lower wheels and get them into the lower track.



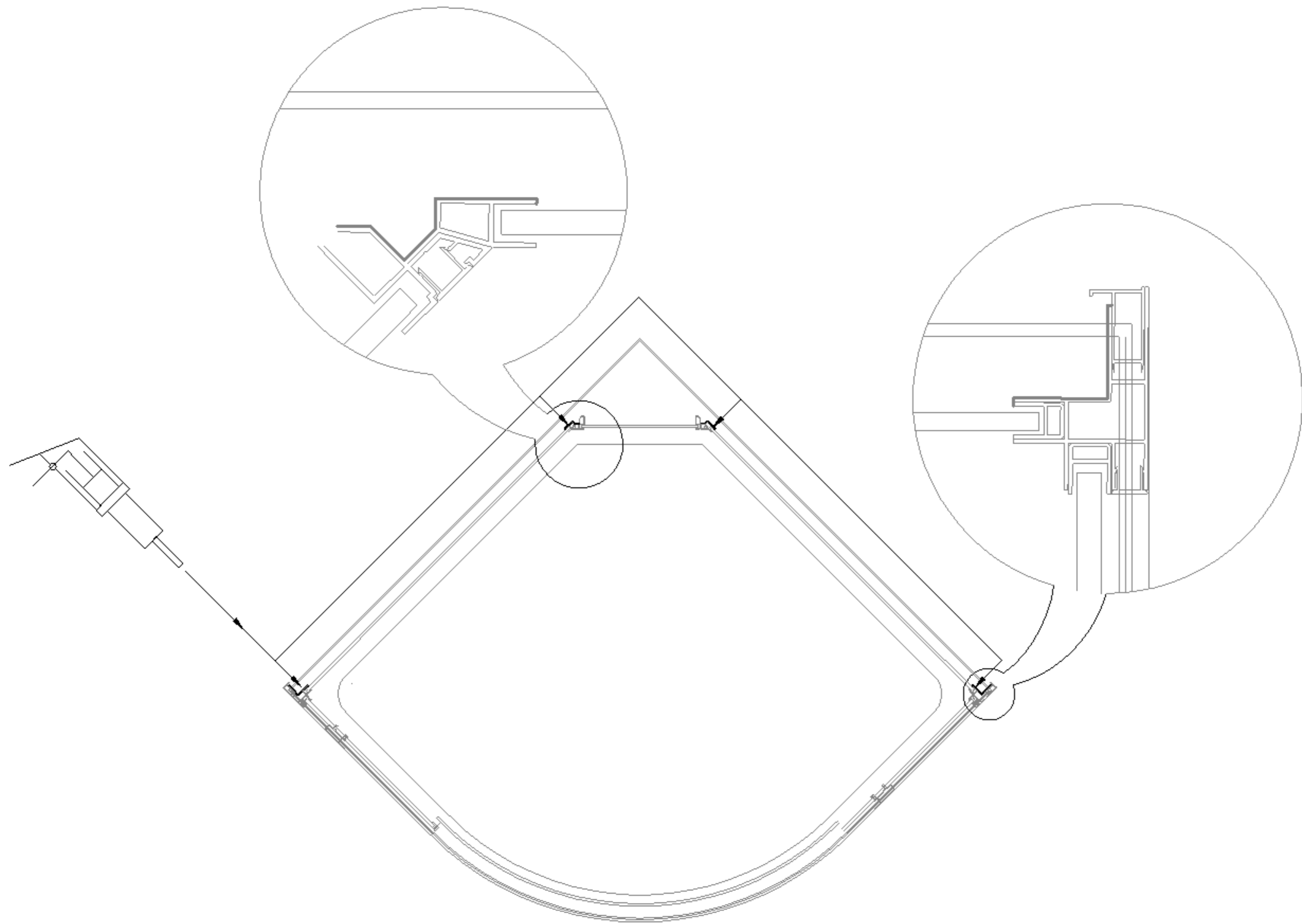
9. Install sliding shower bar and shampoo holder.



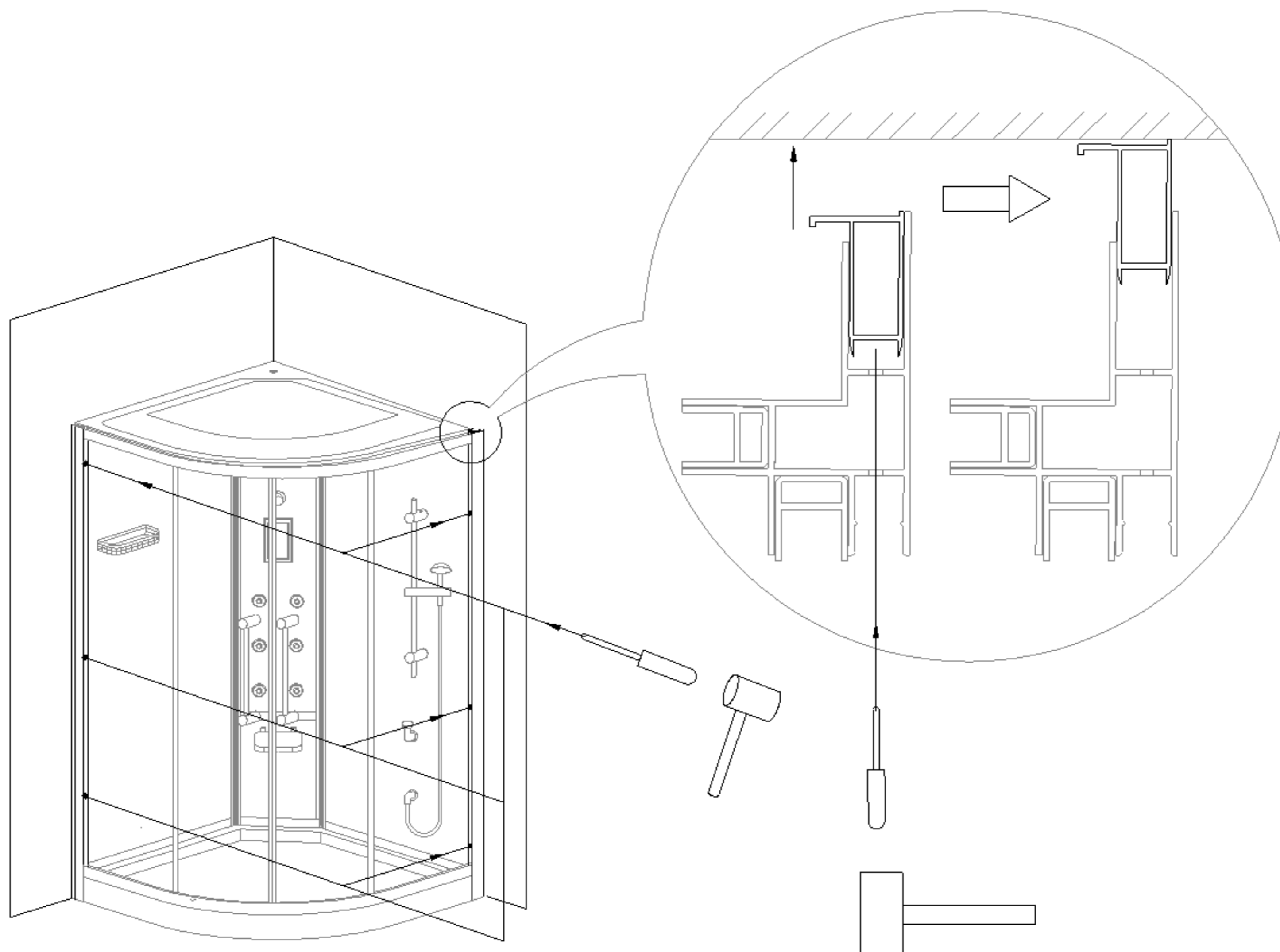
10. Install door handles.



11. Get the aluminum profile in.



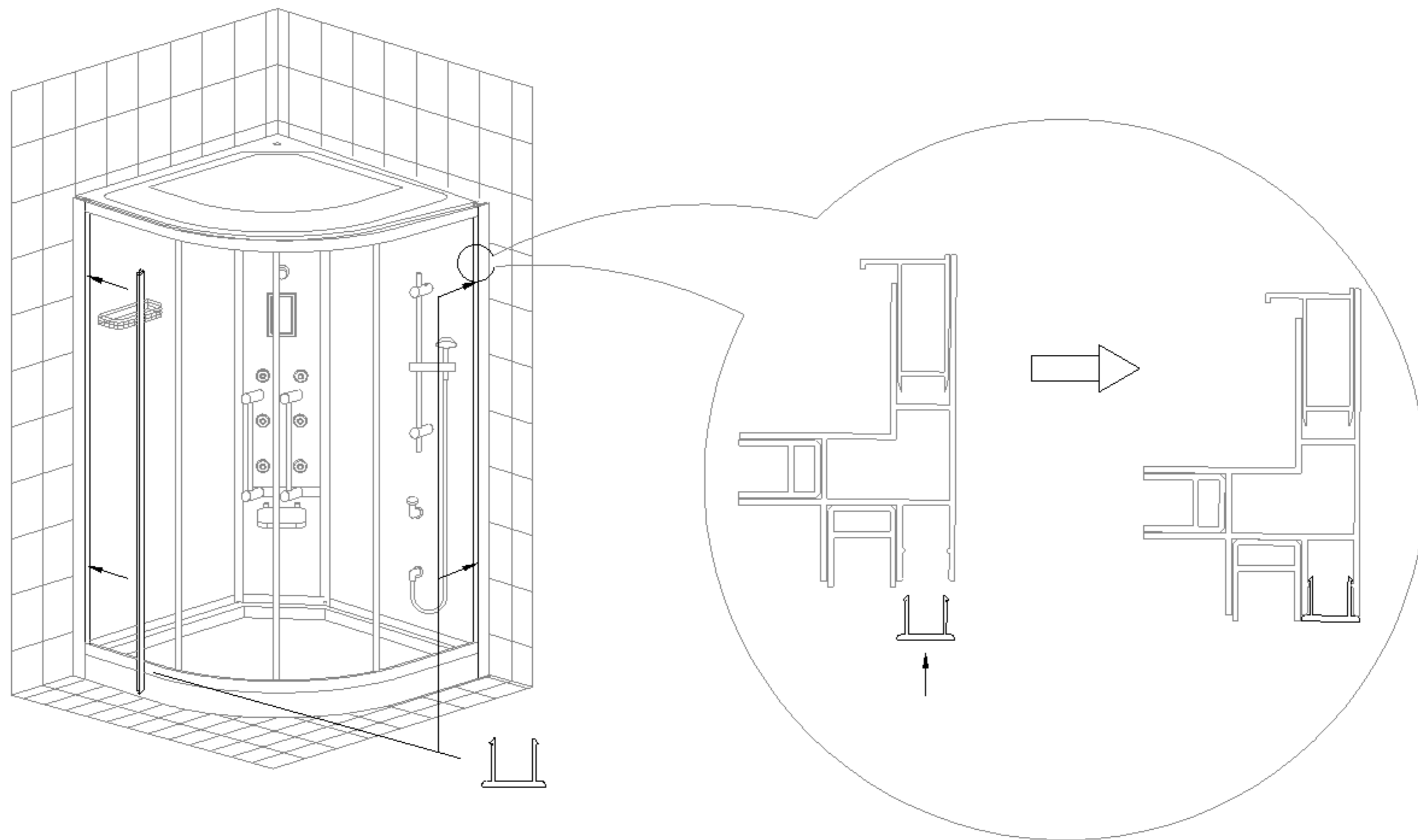
12. Apply silicone. No using within 24 hours.



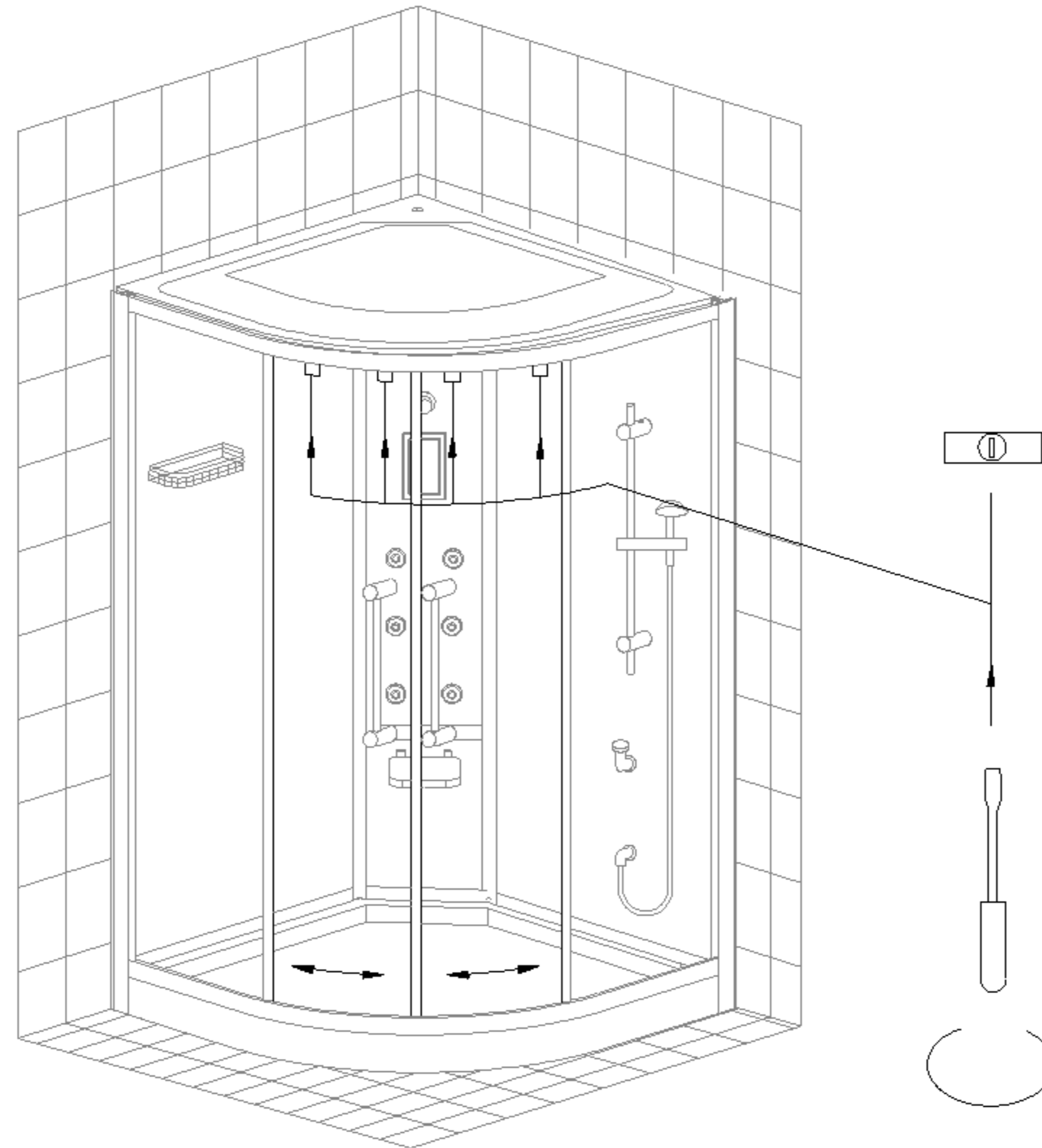
13. Adjust to get minimum gap between the product and the wall

(1) Get water supply and power supply connected. Push the product against the wall.

(2) Use screwdriver and hammer to push the aluminum profile inside the door frame well against the wall.



14. Get in the decoration aluminum profile.



15. Adjust to get minimum gap between the sliding door and the aluminum profile: use small screwdriver to adjust the screws on the wheels (as illustrated in the picture), to make sure the gap is minimum and the sliding is smooth.