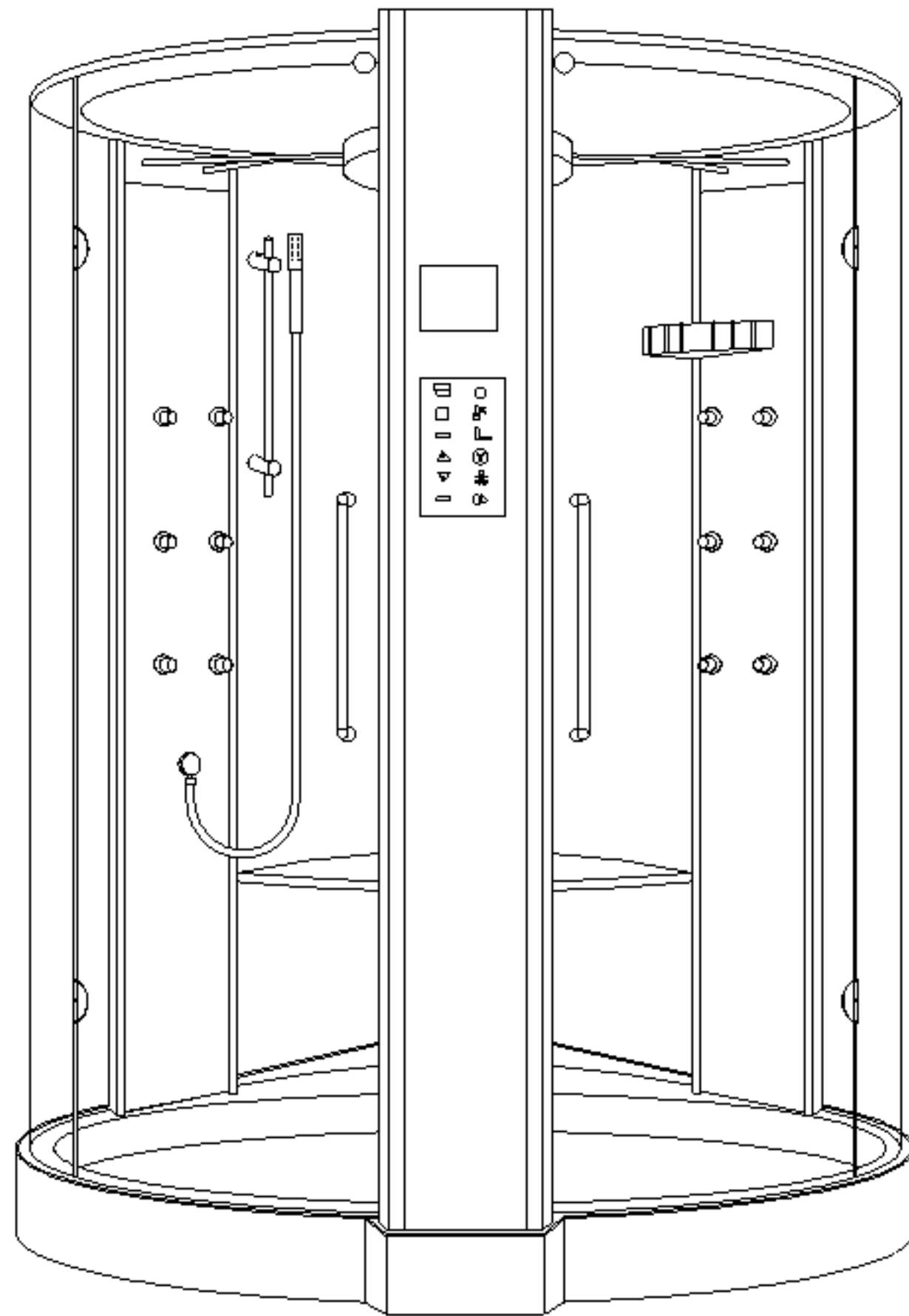
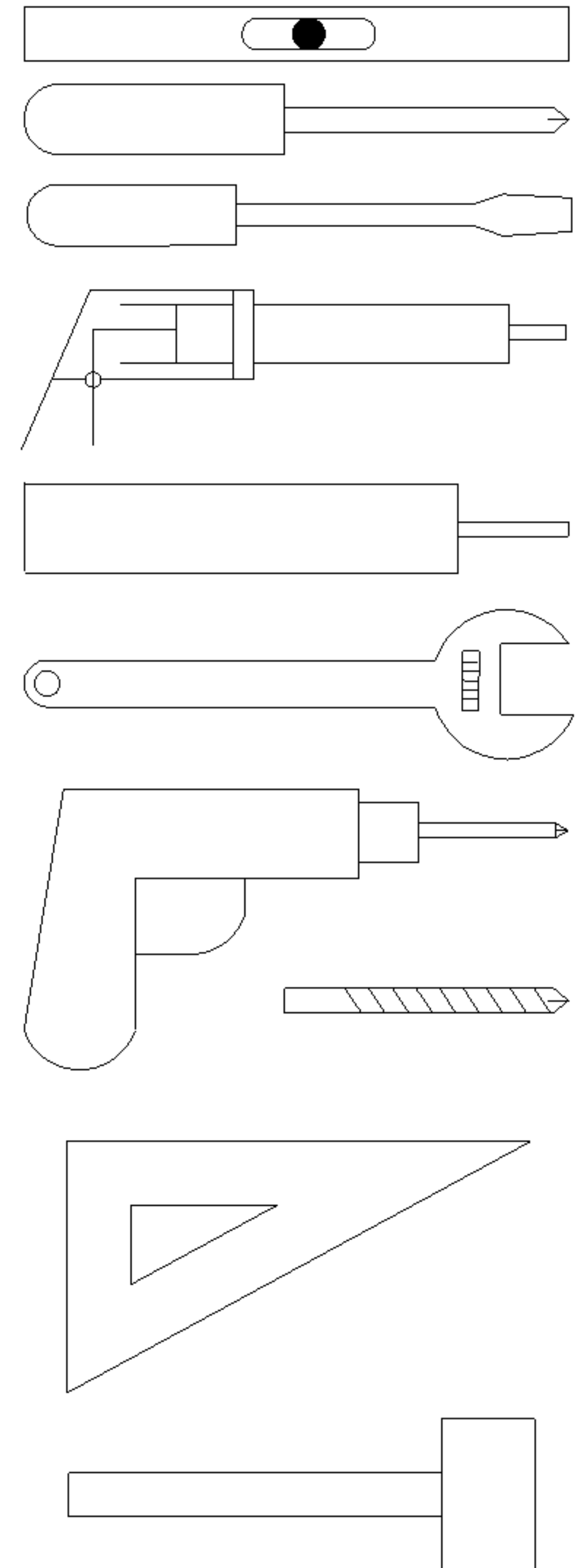
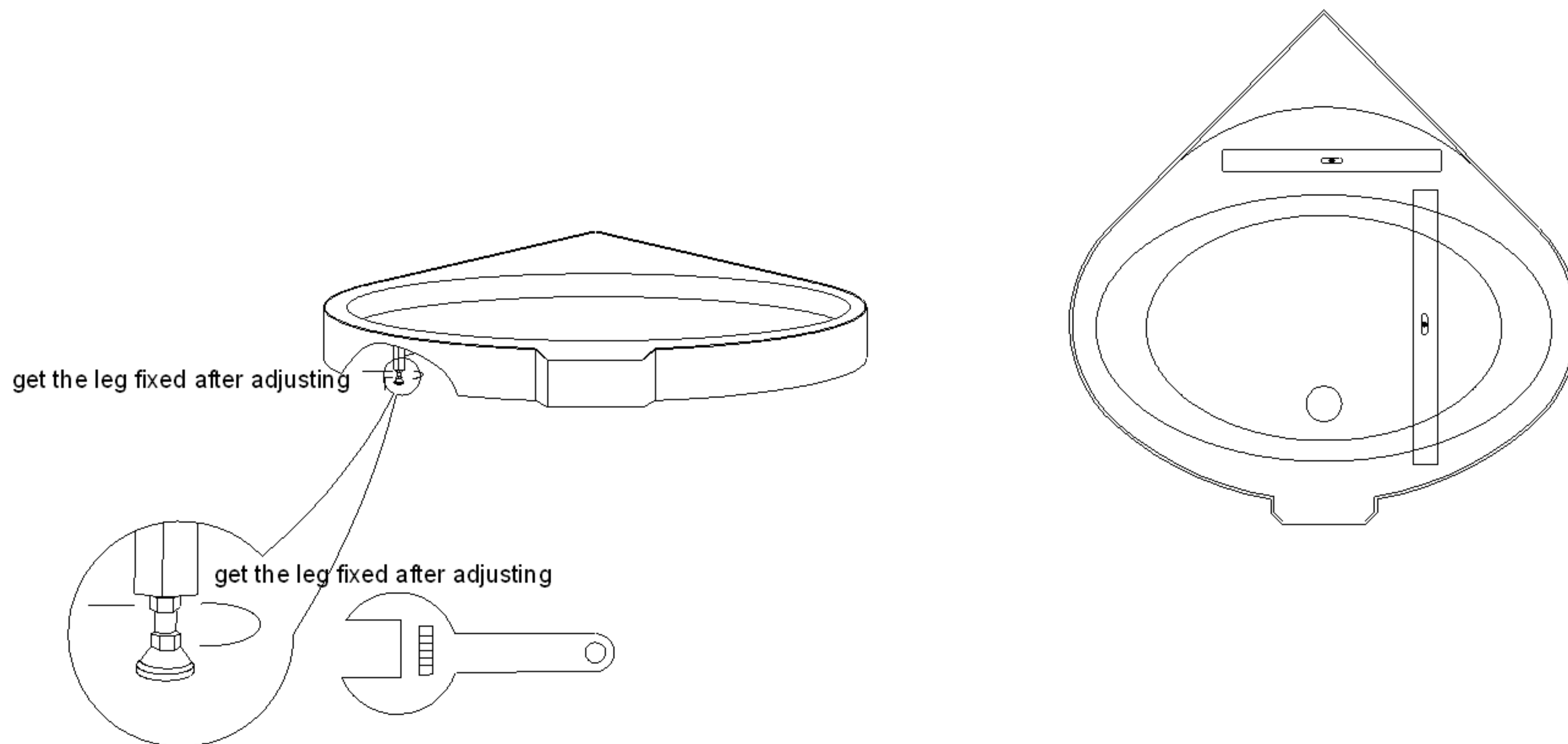


**Installation Instruction**  
**WS122/WR122**

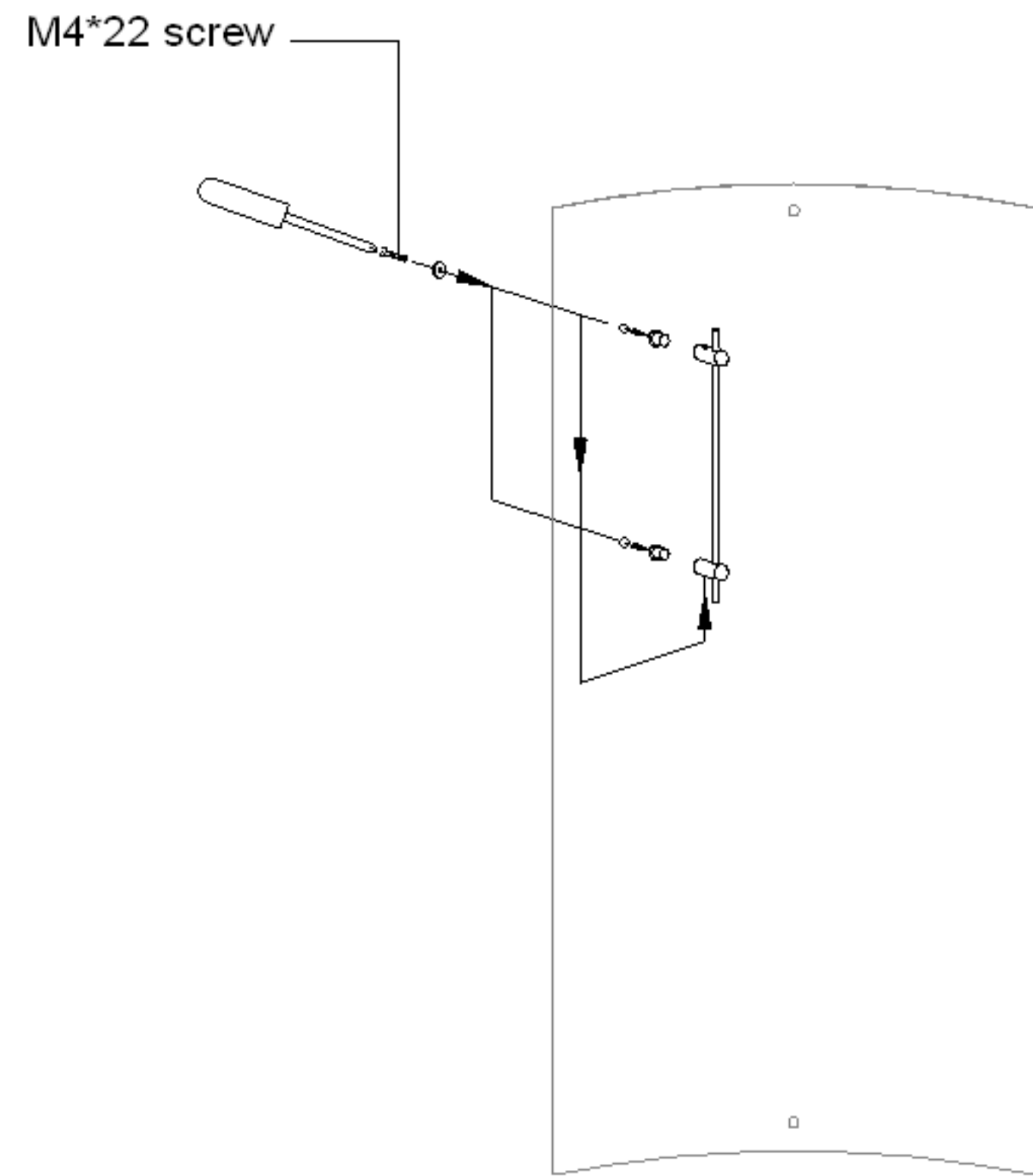


1. Tools used: gradienter, screwdriver, silicone gun, silicone, spanner, electric drill, 9 aiguille, triangle ruler, hammer.

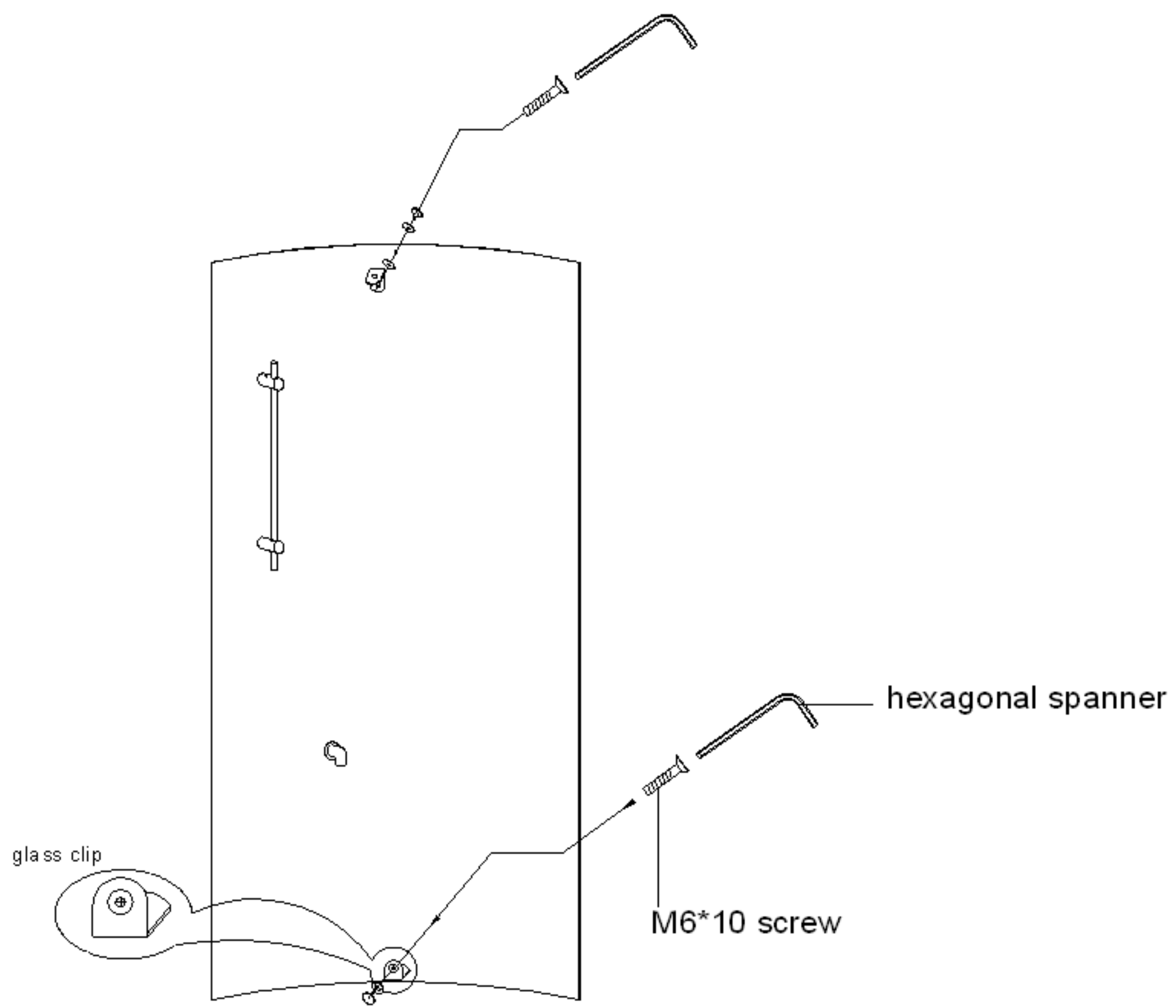




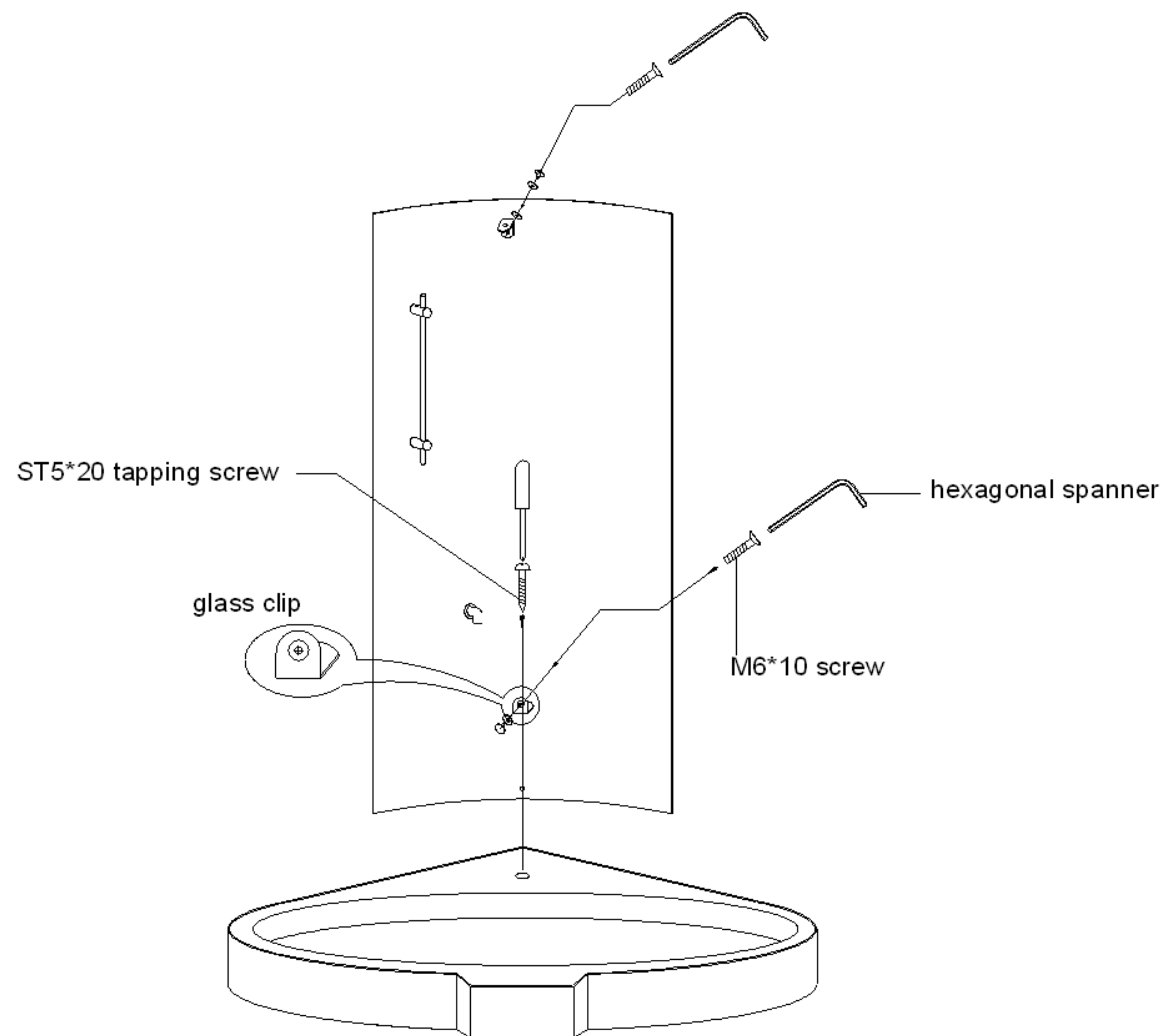
2. Adjust the shower tray to make sure the upper surface of the track is vertical with the wall. The upper side of the shower tray shall be level and all the legs shall reach the floor.



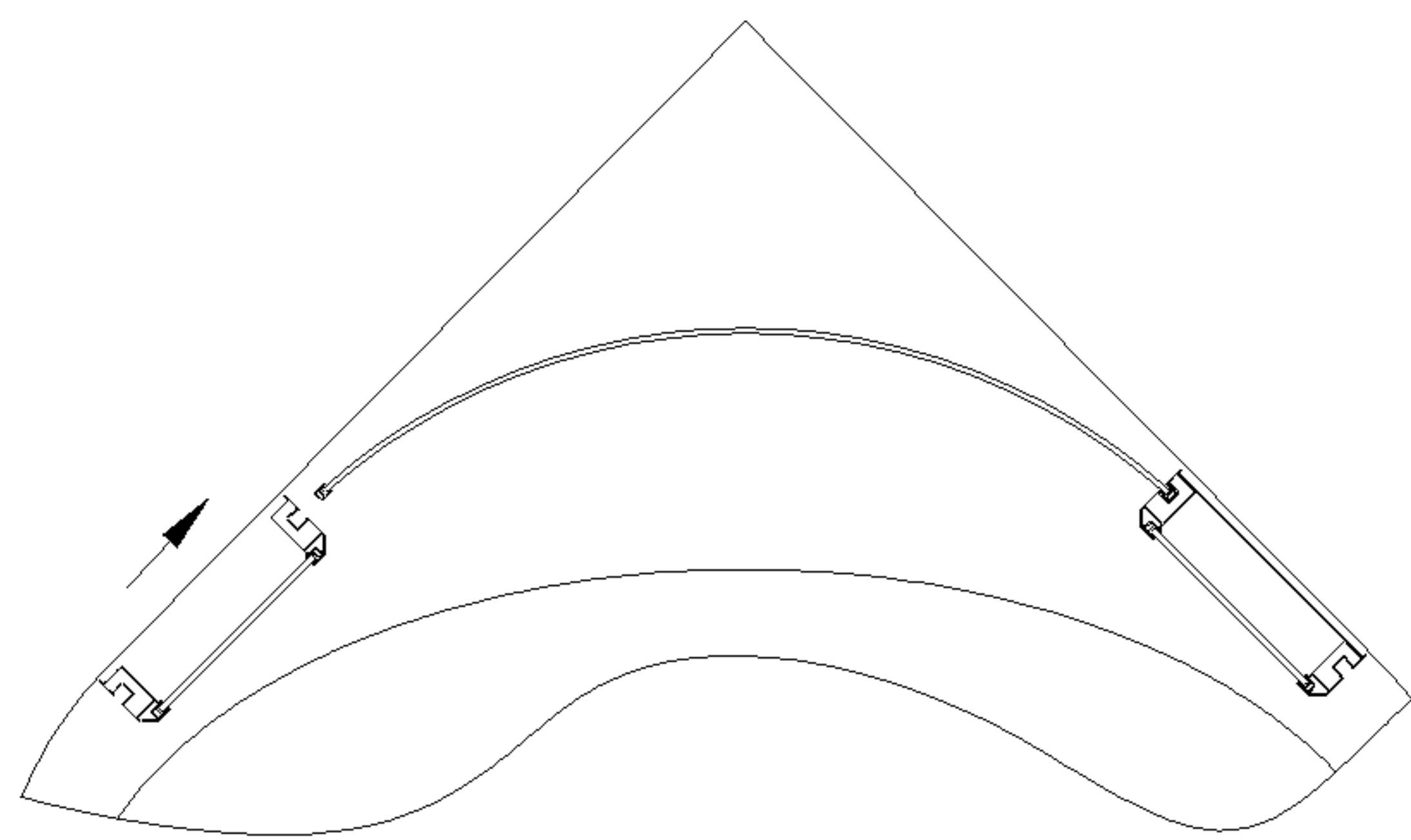
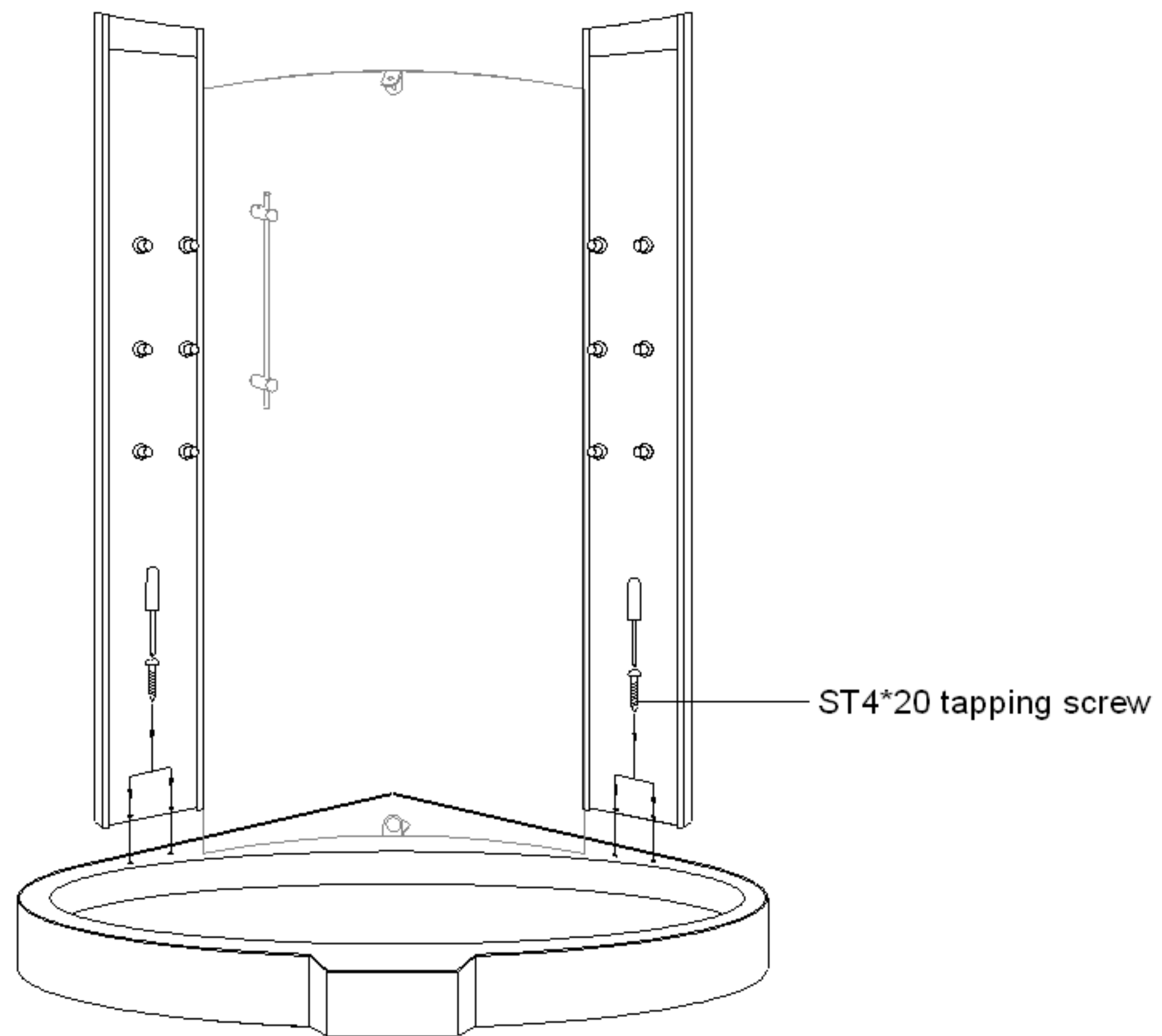
3. Install shower bar.



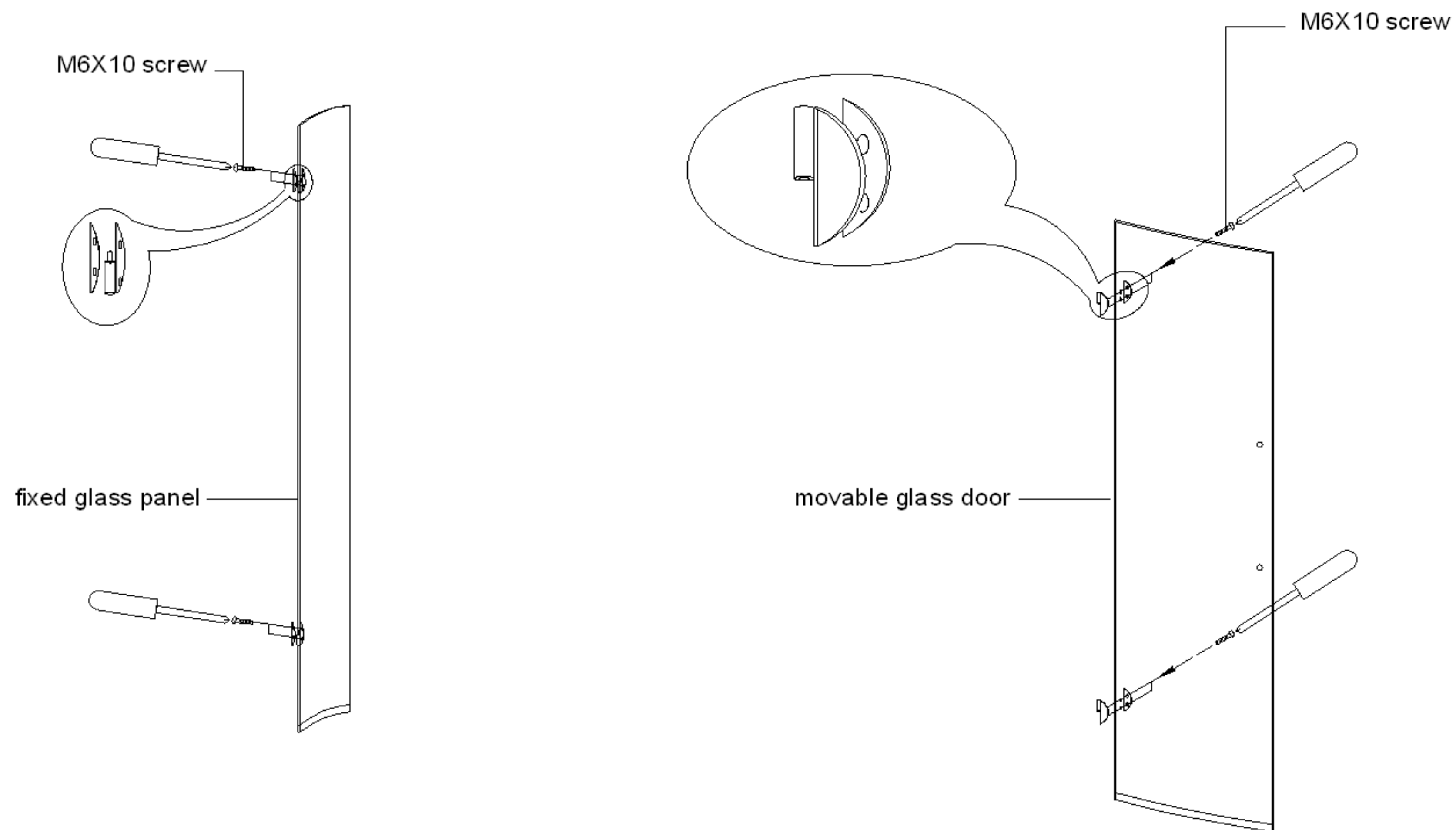
4. Install glass clip for back glass panel.



5. Install back glass panel.

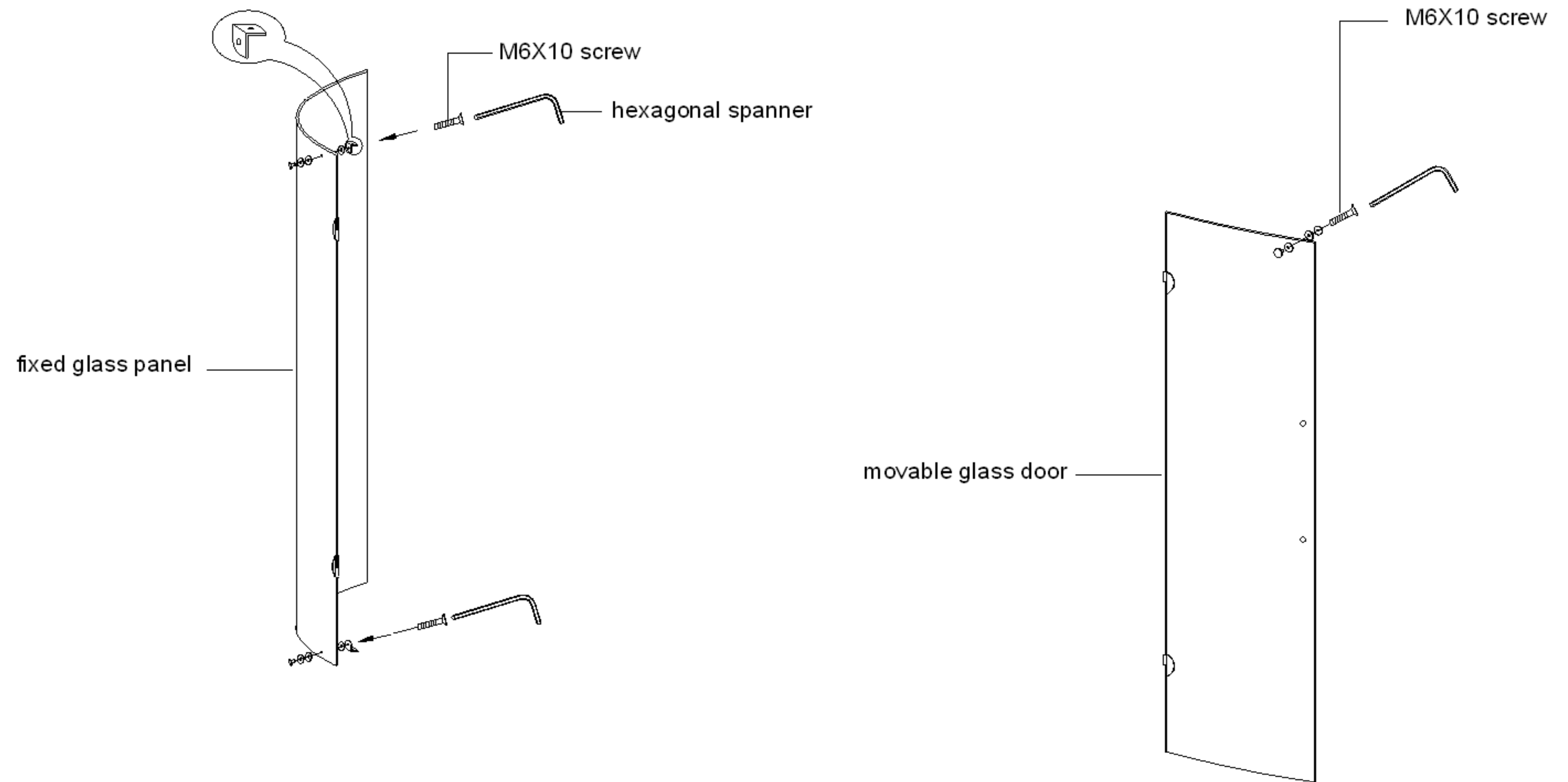


6. Install side columns.

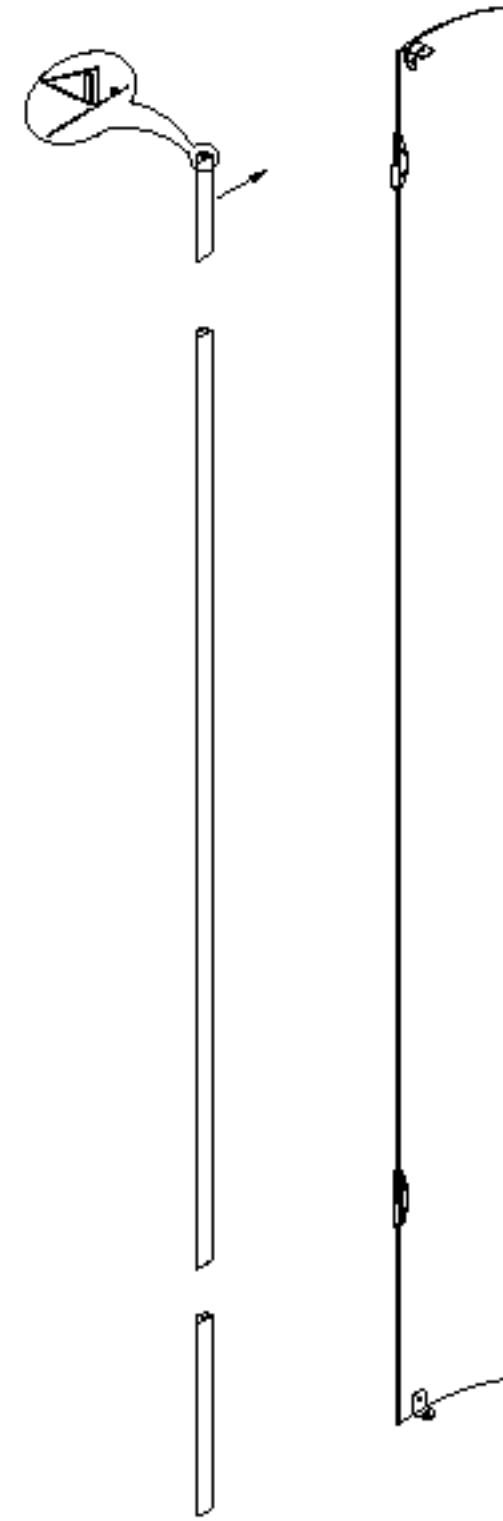


7. Install hinge for fixed glass panel and movable glass door.

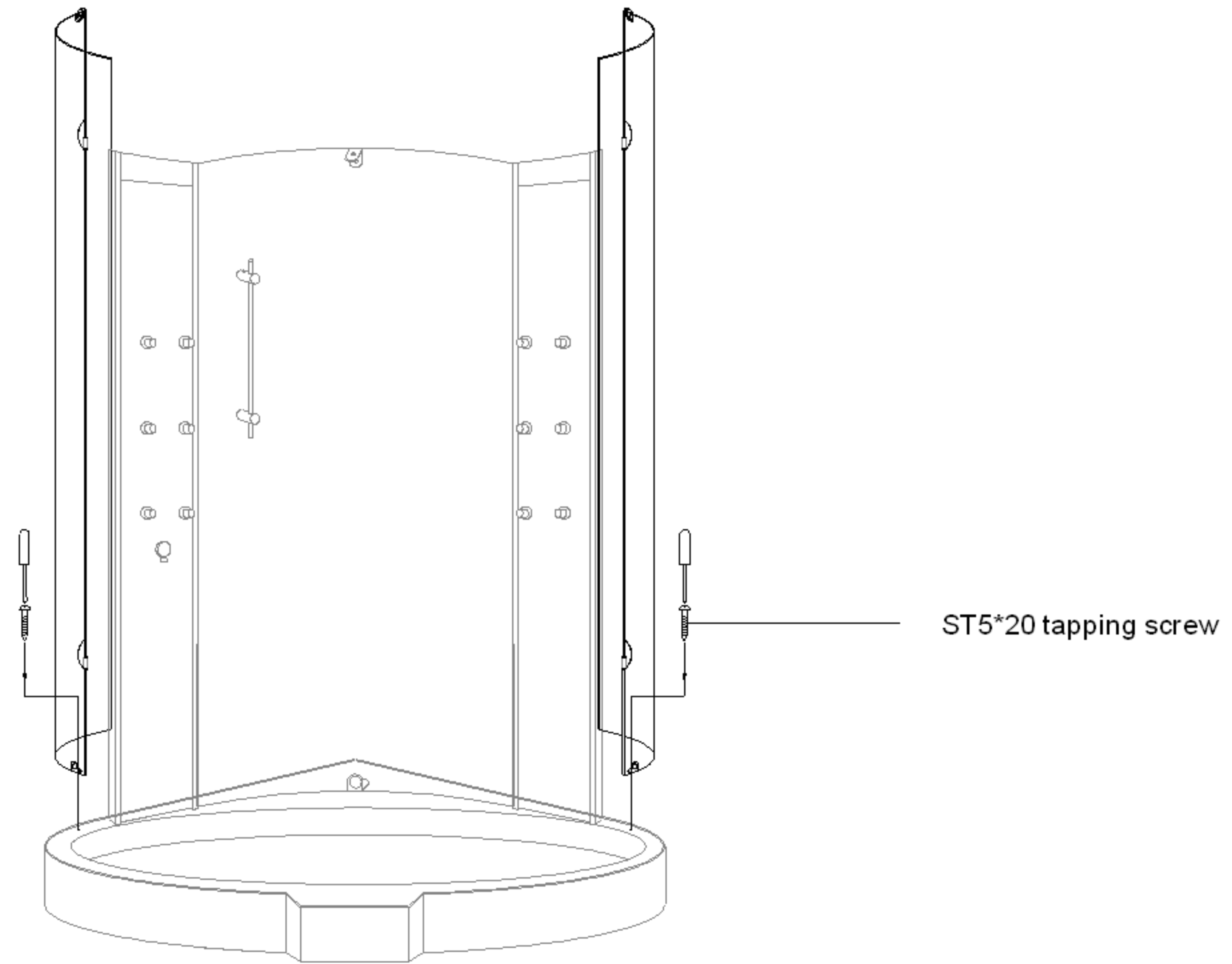




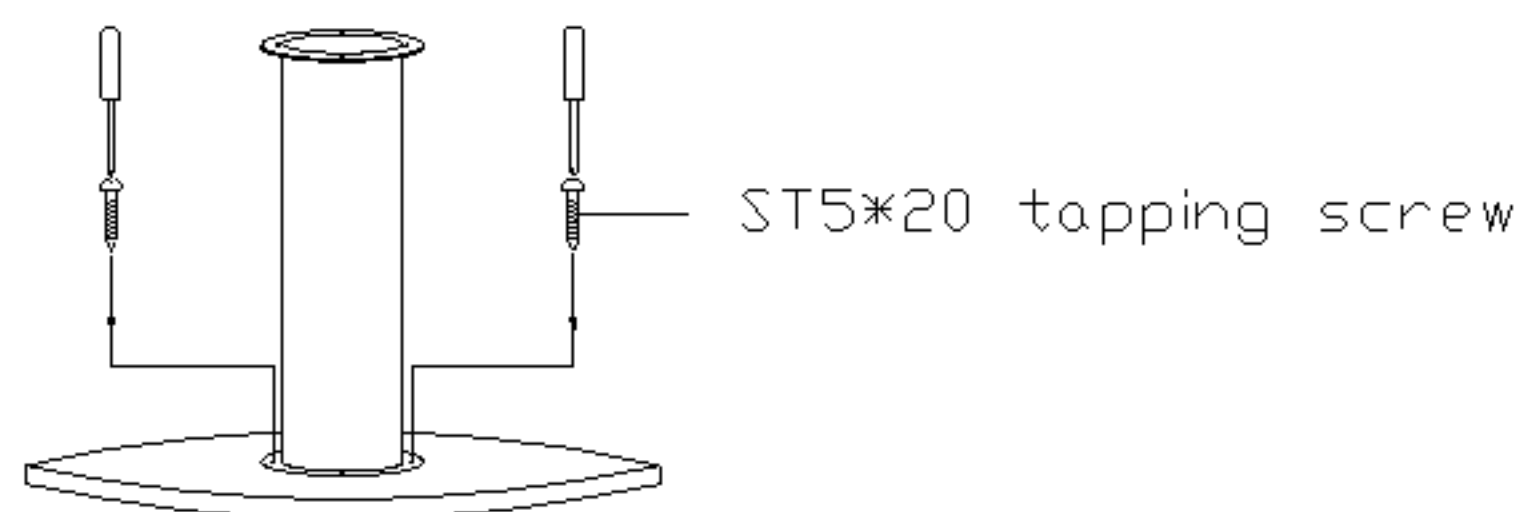
8. Install glass clip for fixed glass panel and magnetic cylinder for movable glass.



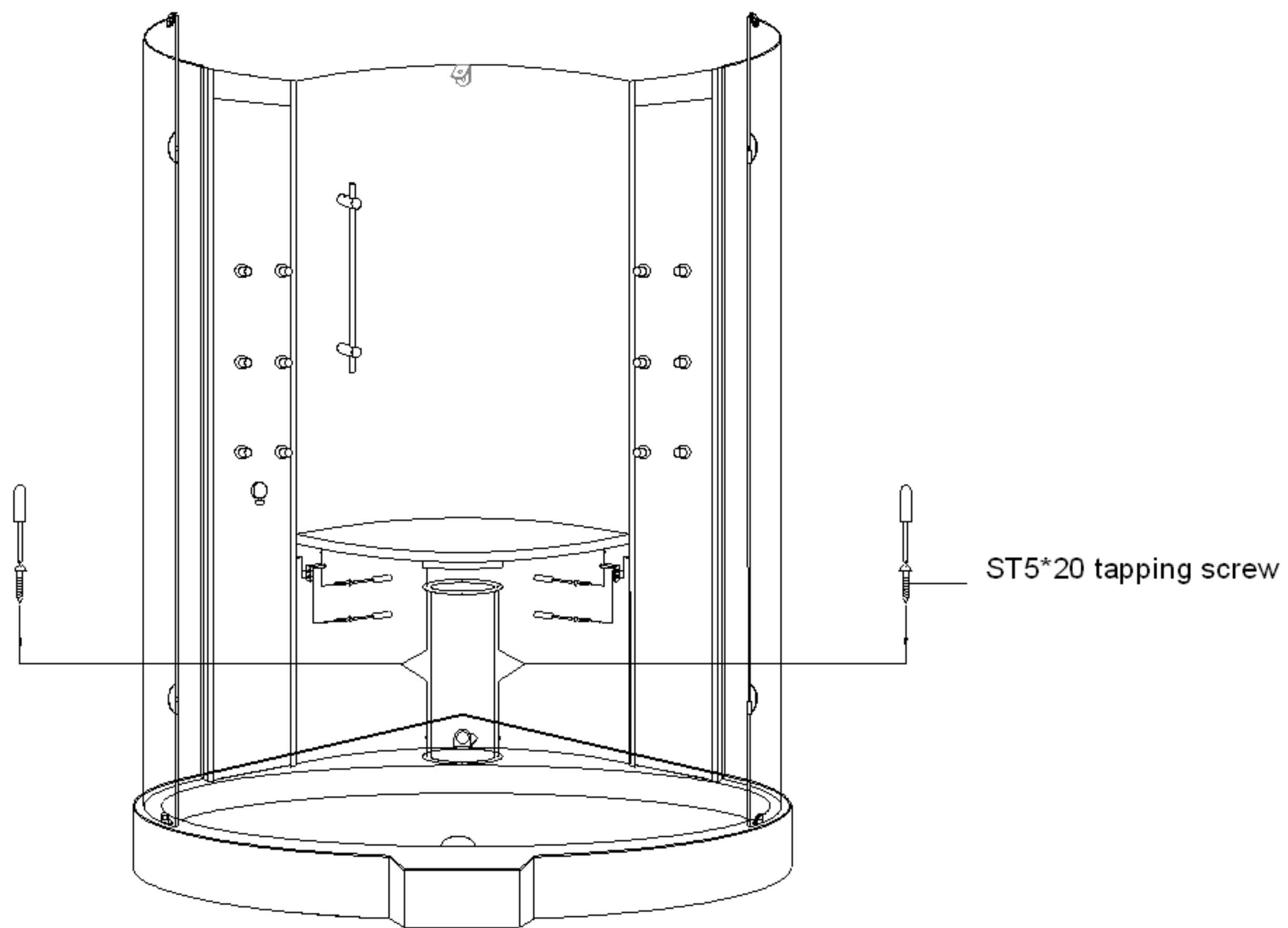
9. Install plastic seal for fixed glass panel.



10. Install fixed glass panel.

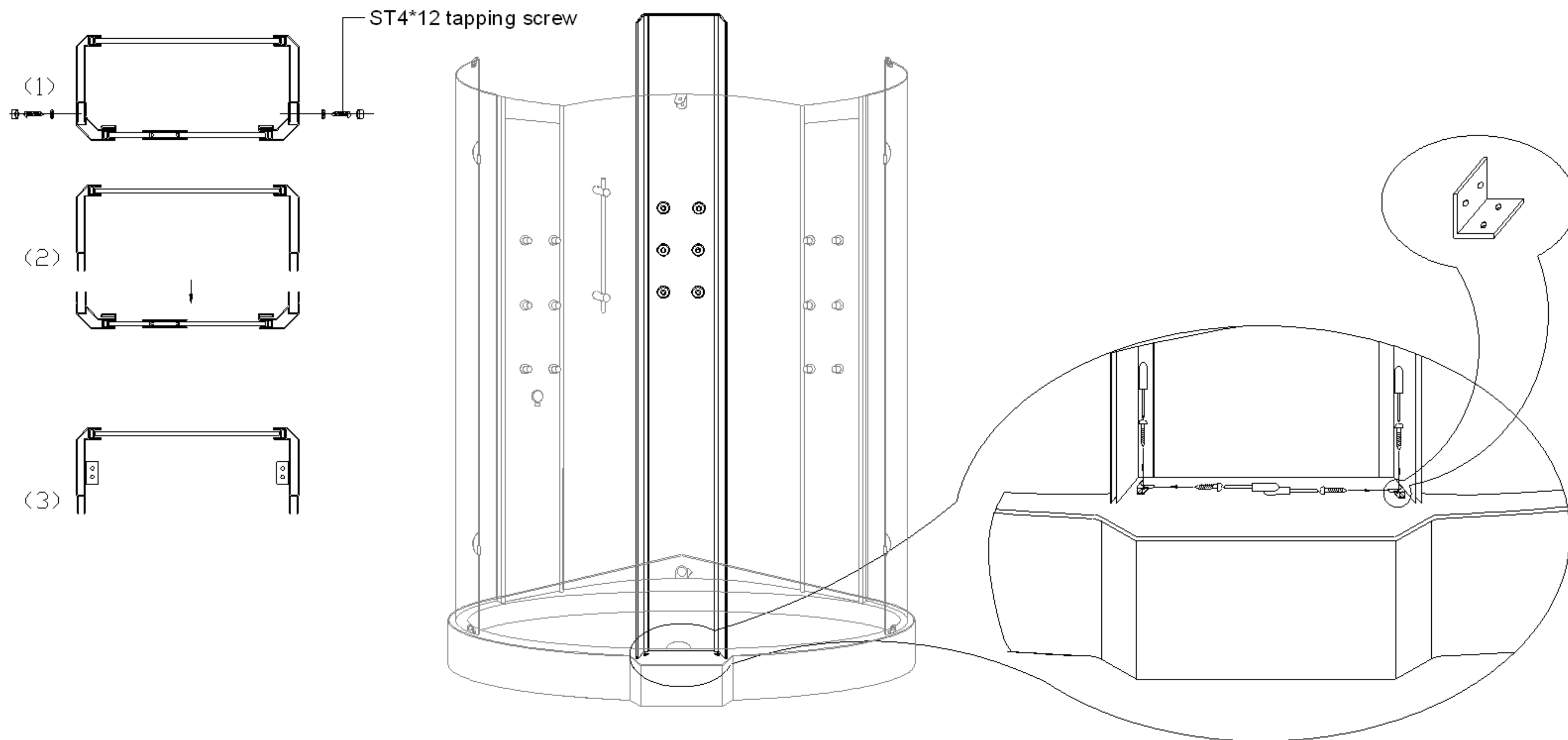


(1)

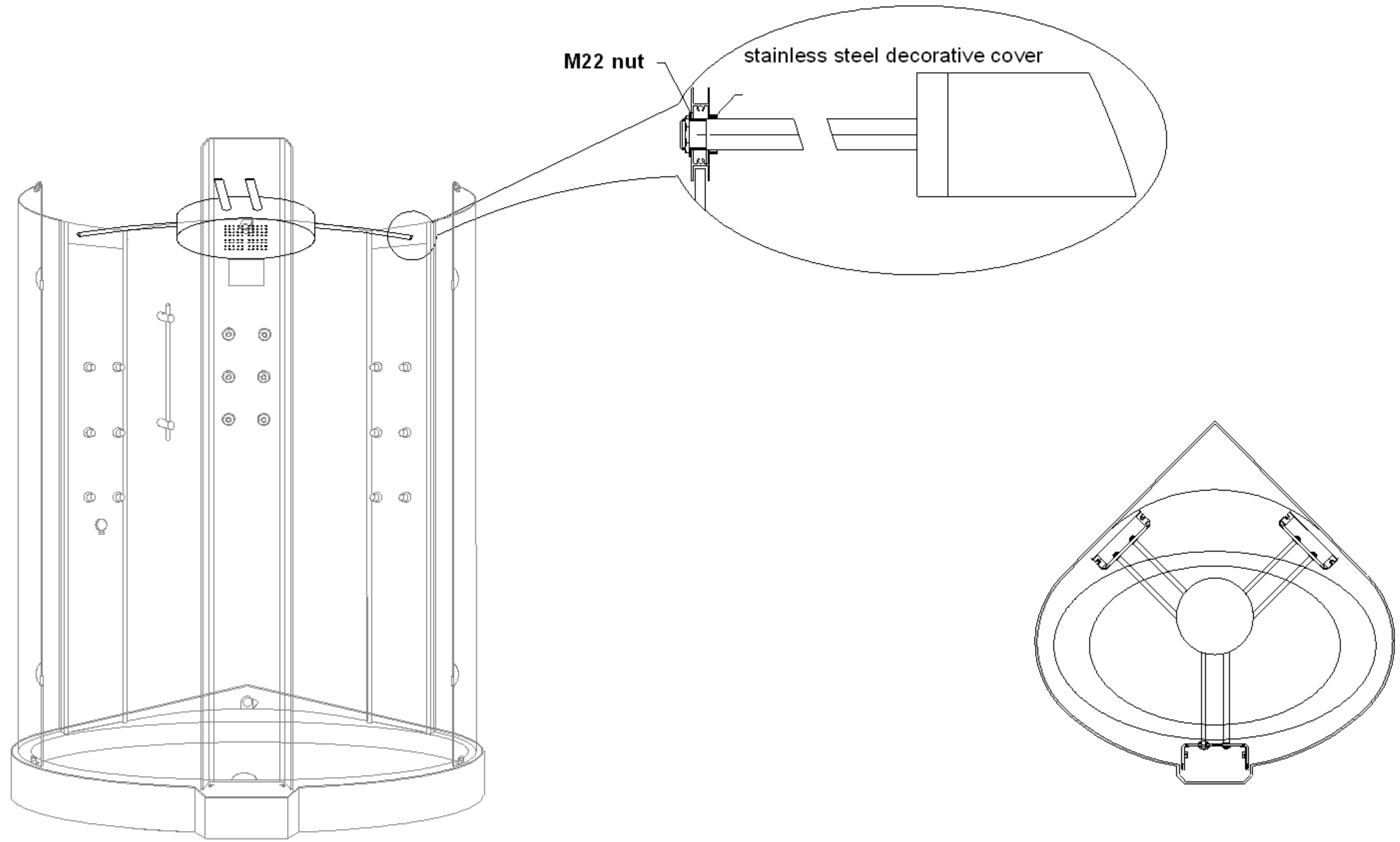


(2)

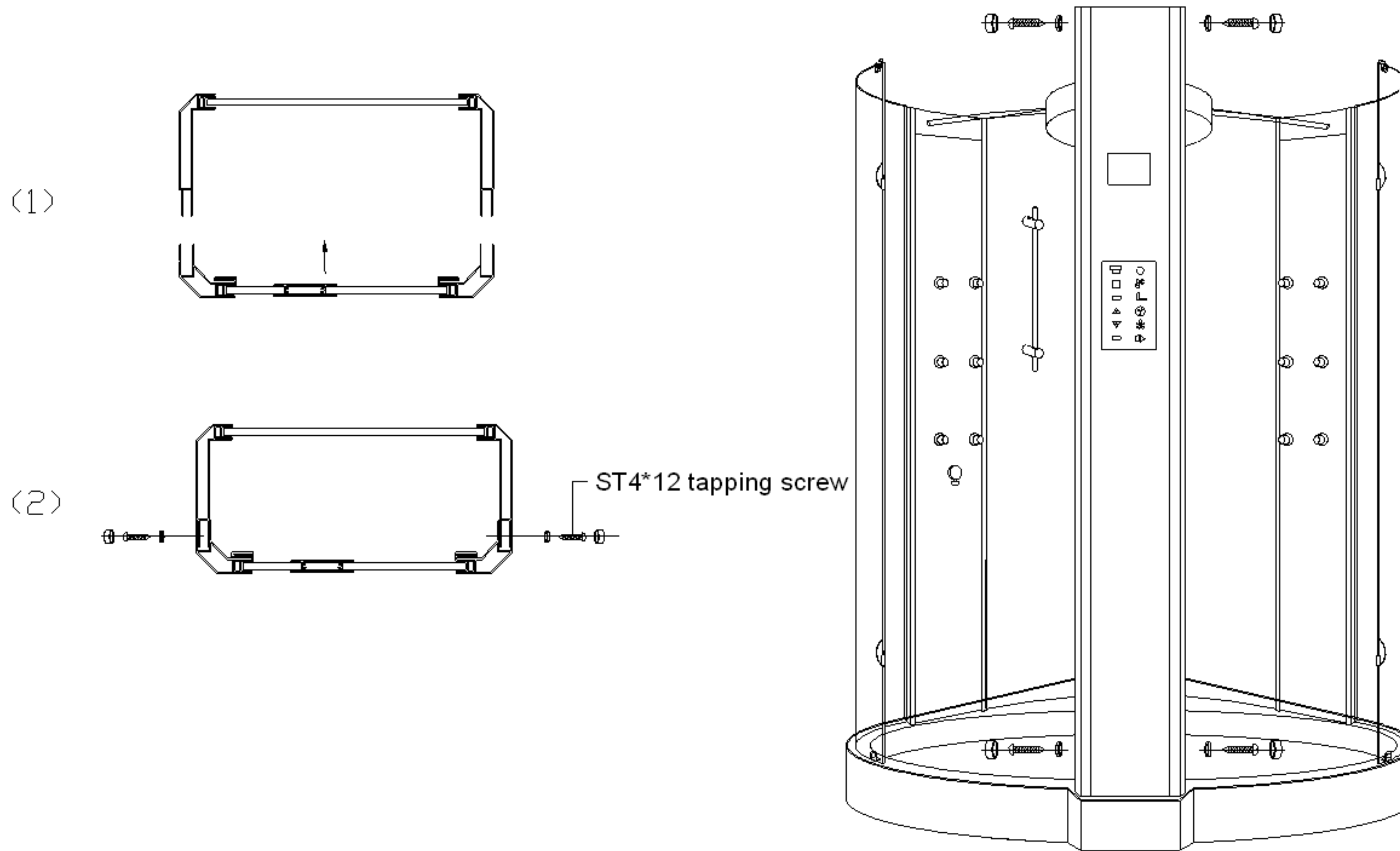
11. Install seat.



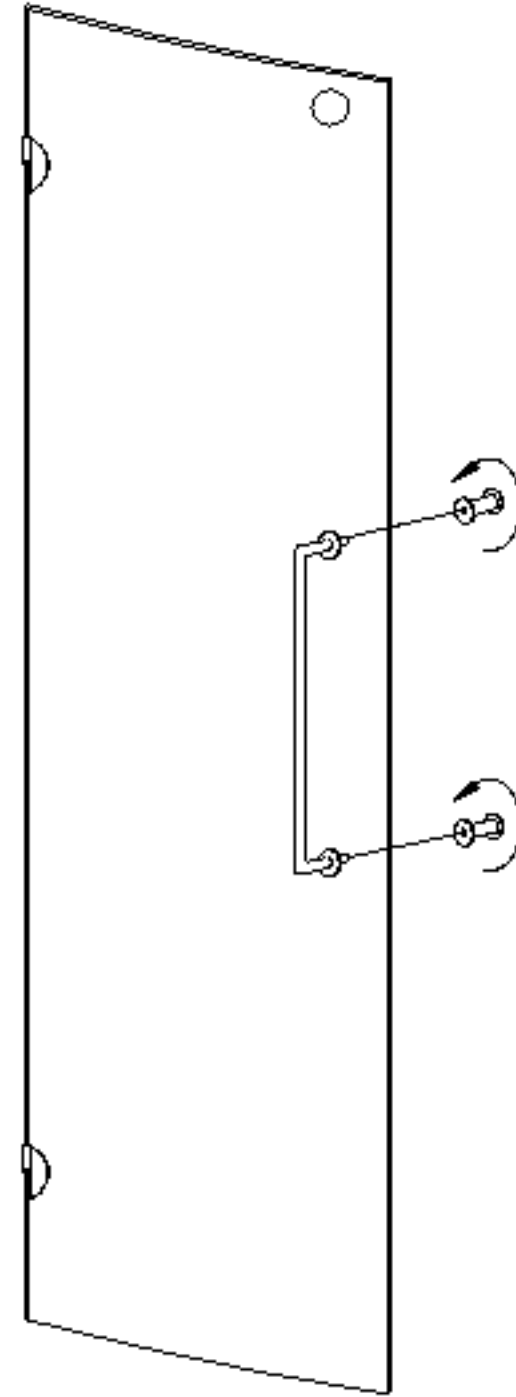
12. Loosen stainless steel decorative cover on the side panel of front column and take out the screw. Then separate the column as above picture shows and install inside part of the column.



13. Install ceiling shower.

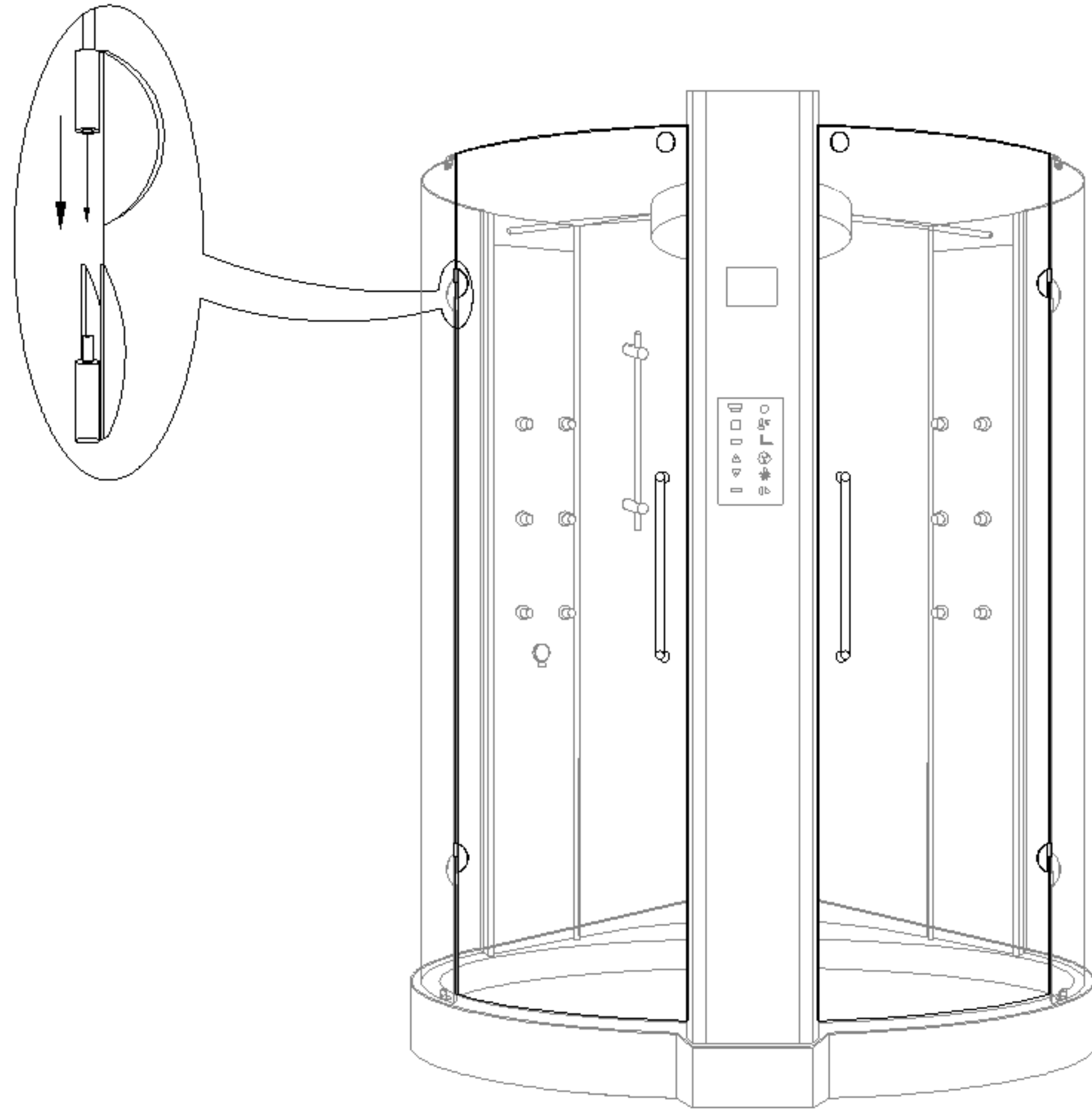


14. Install the front part of front column.  
Get water pipes and electrical wires connected according to number.

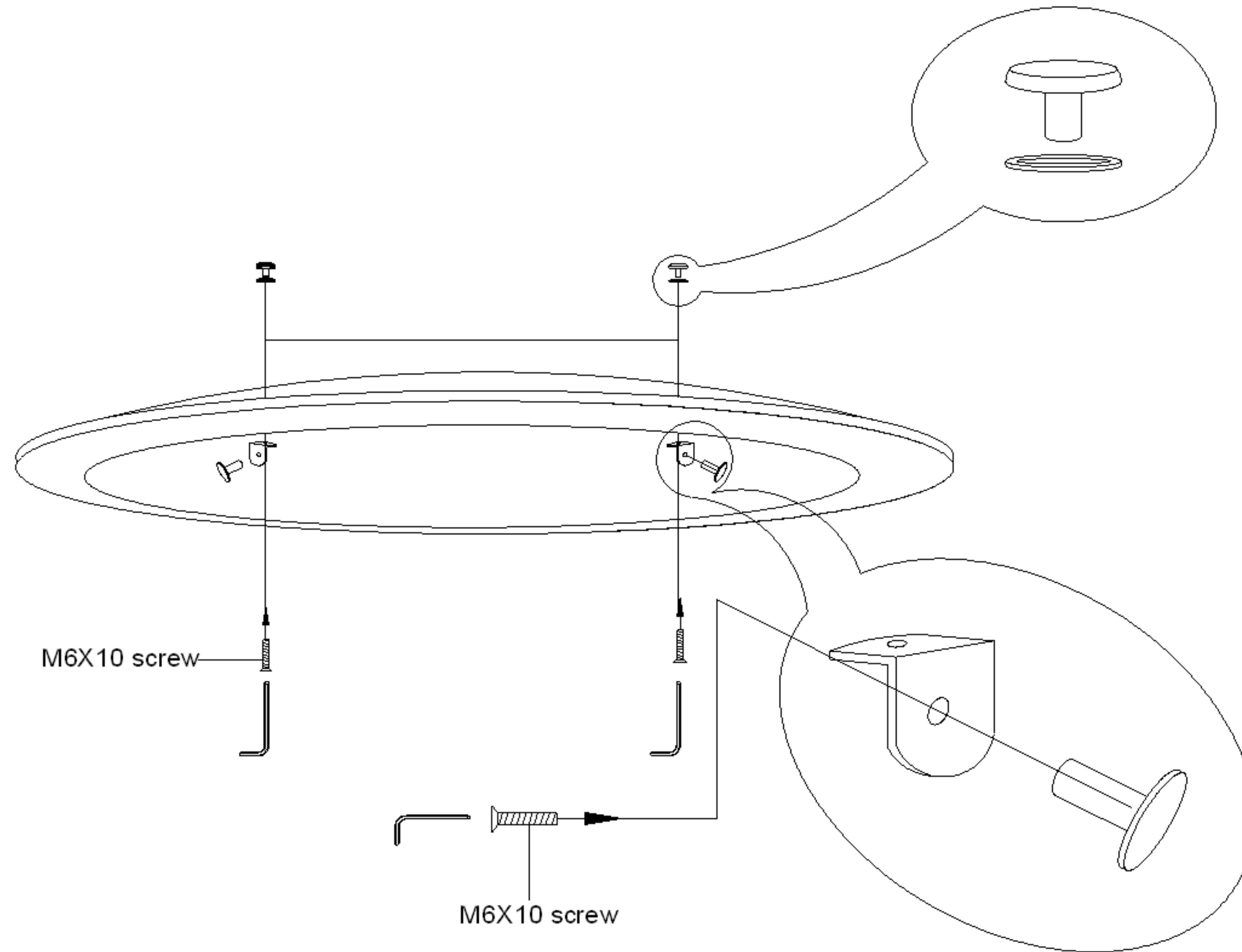


15. Install door handle.

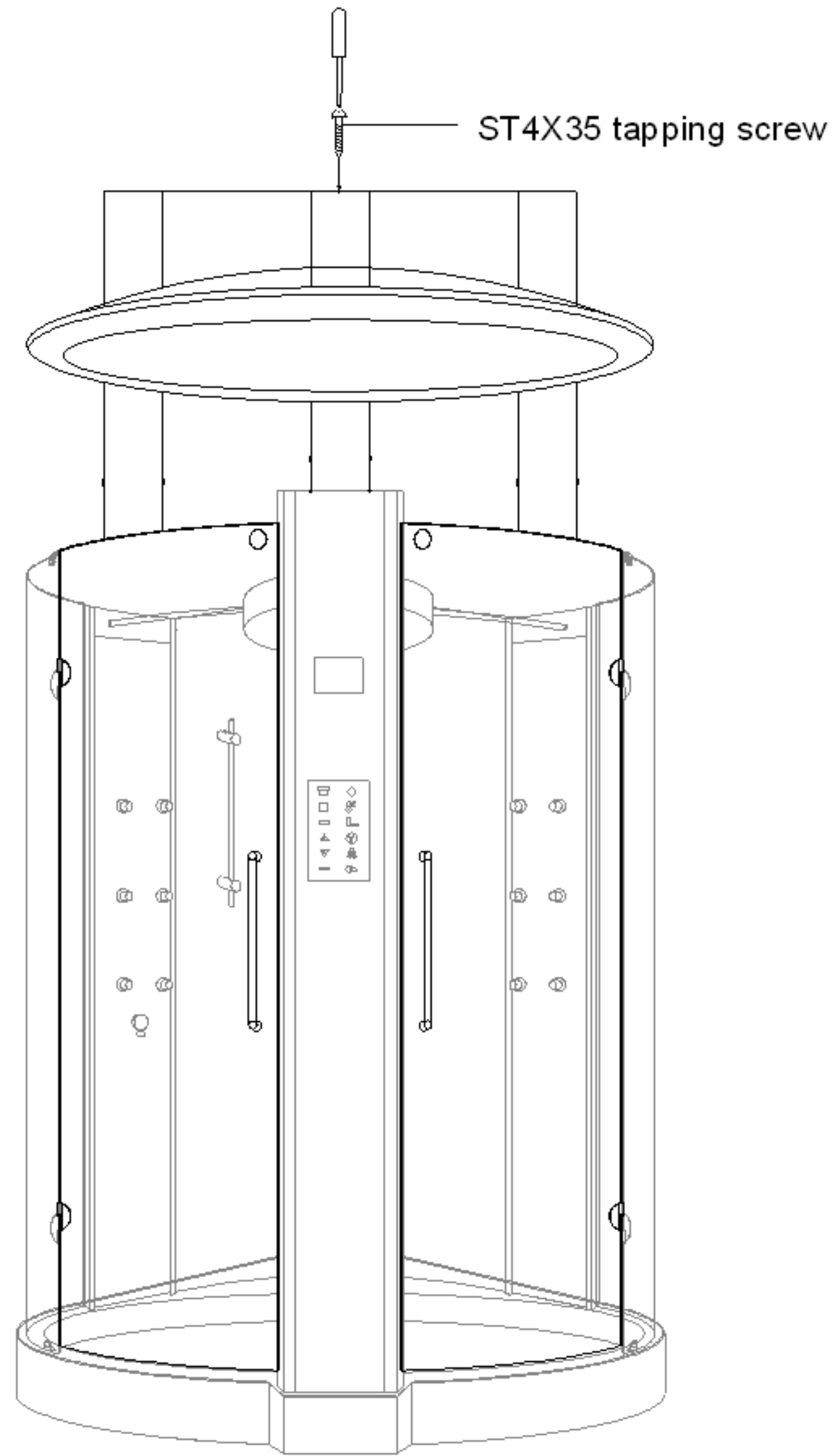




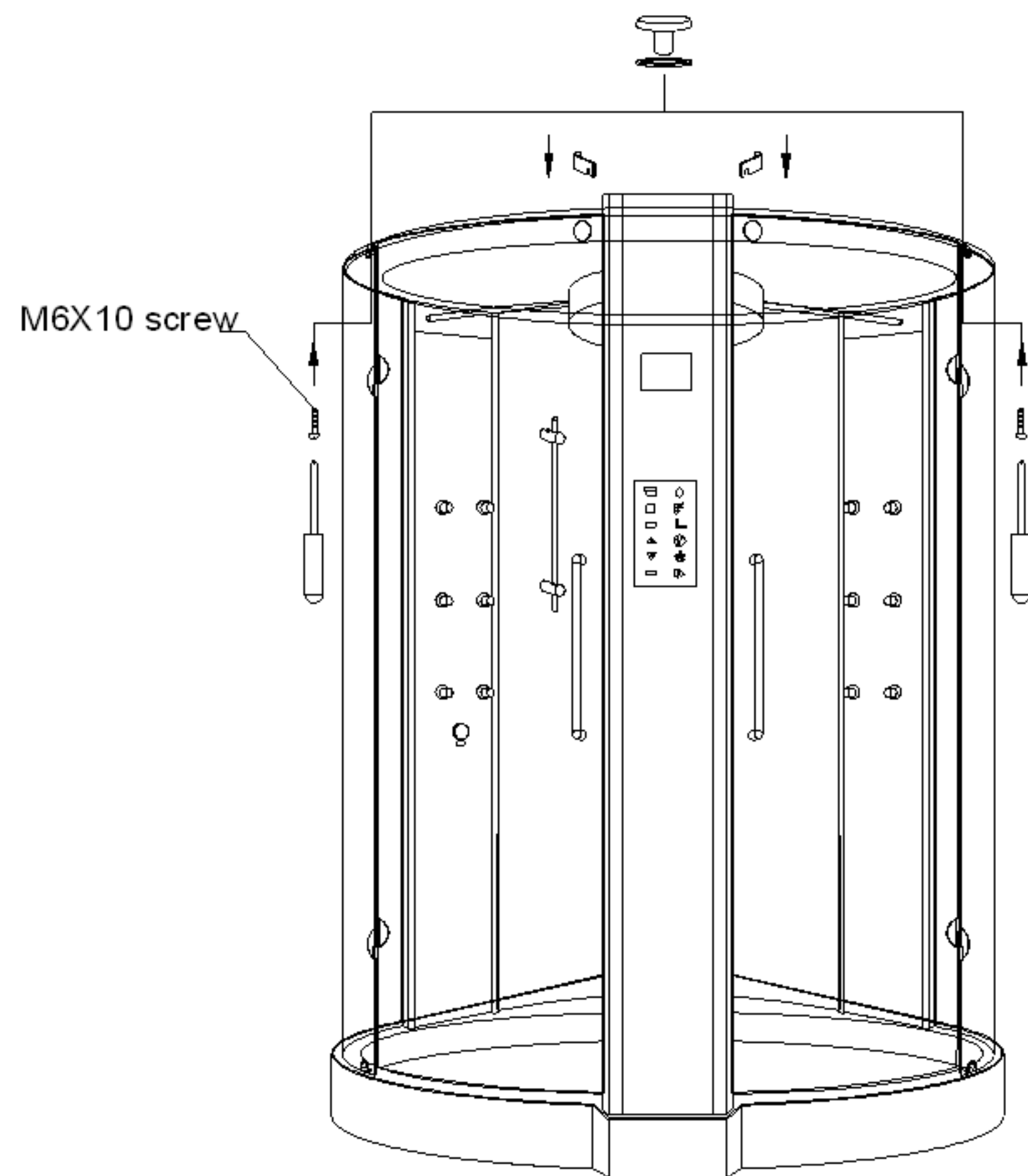
16. Install movable glass door.



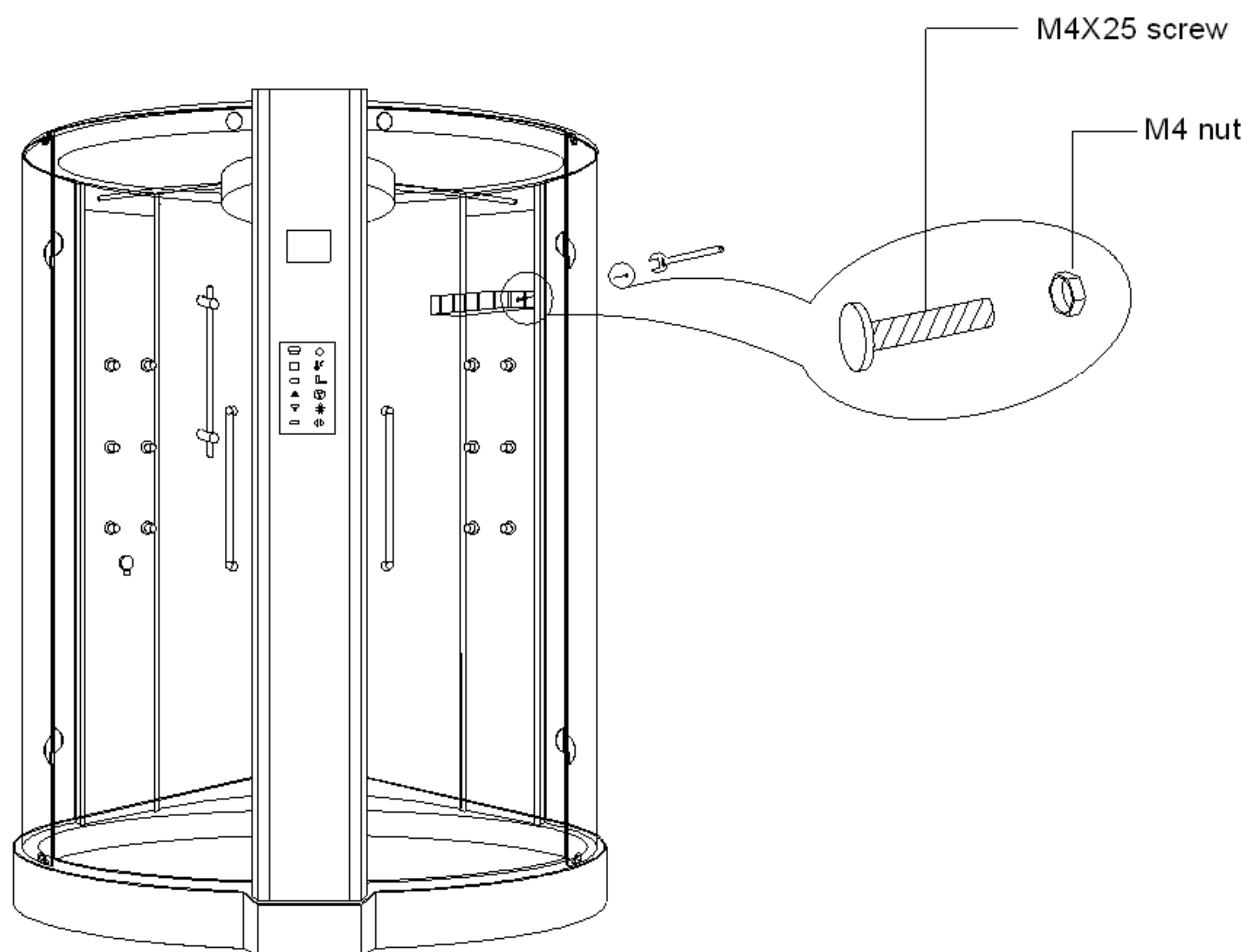
17. Install magnetic cylinder on top cover.



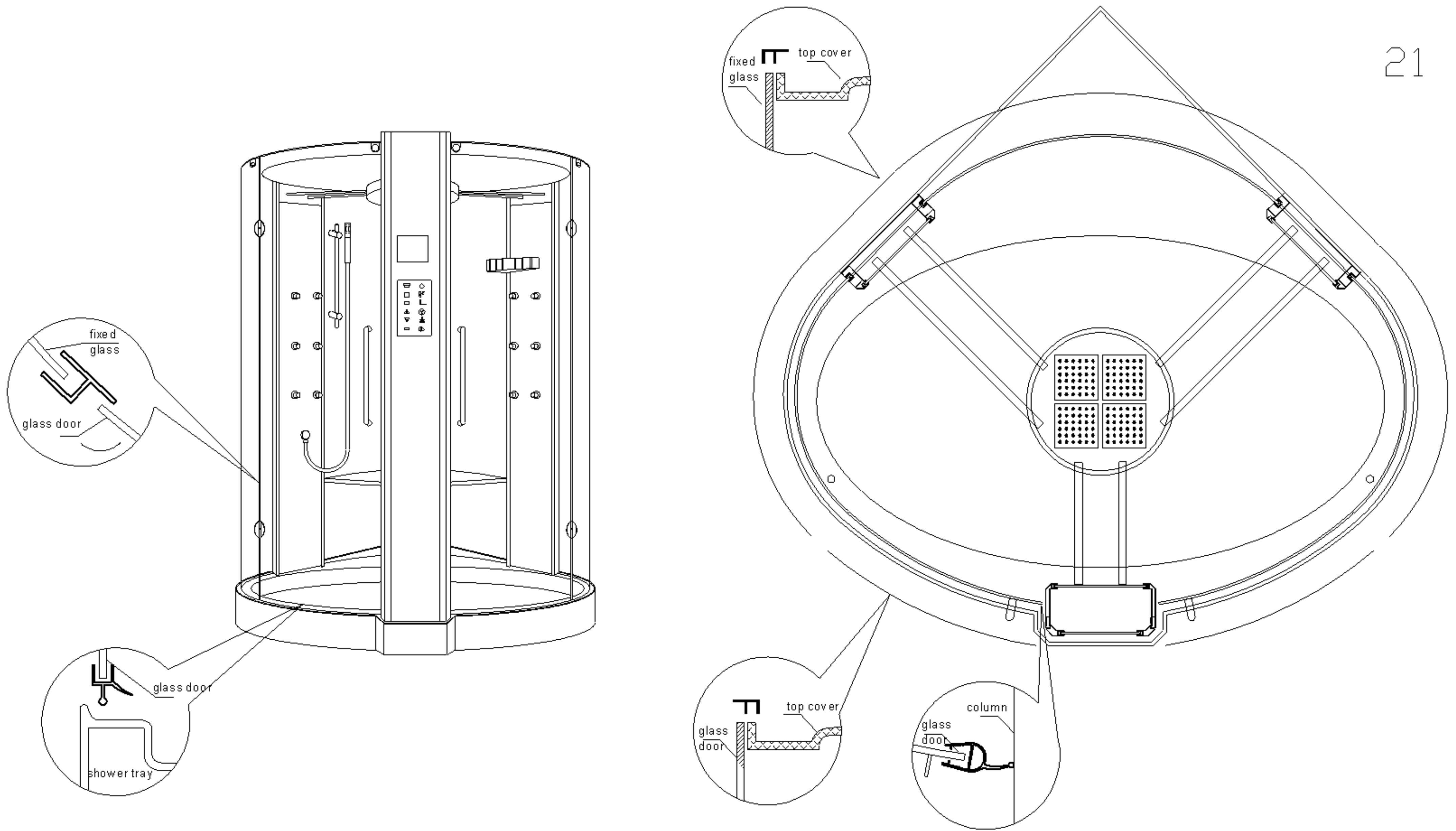
18. Install top cover.



19. Get top cover and fixed glass panels connected. Get decorative aluminum profile wedged into the column.

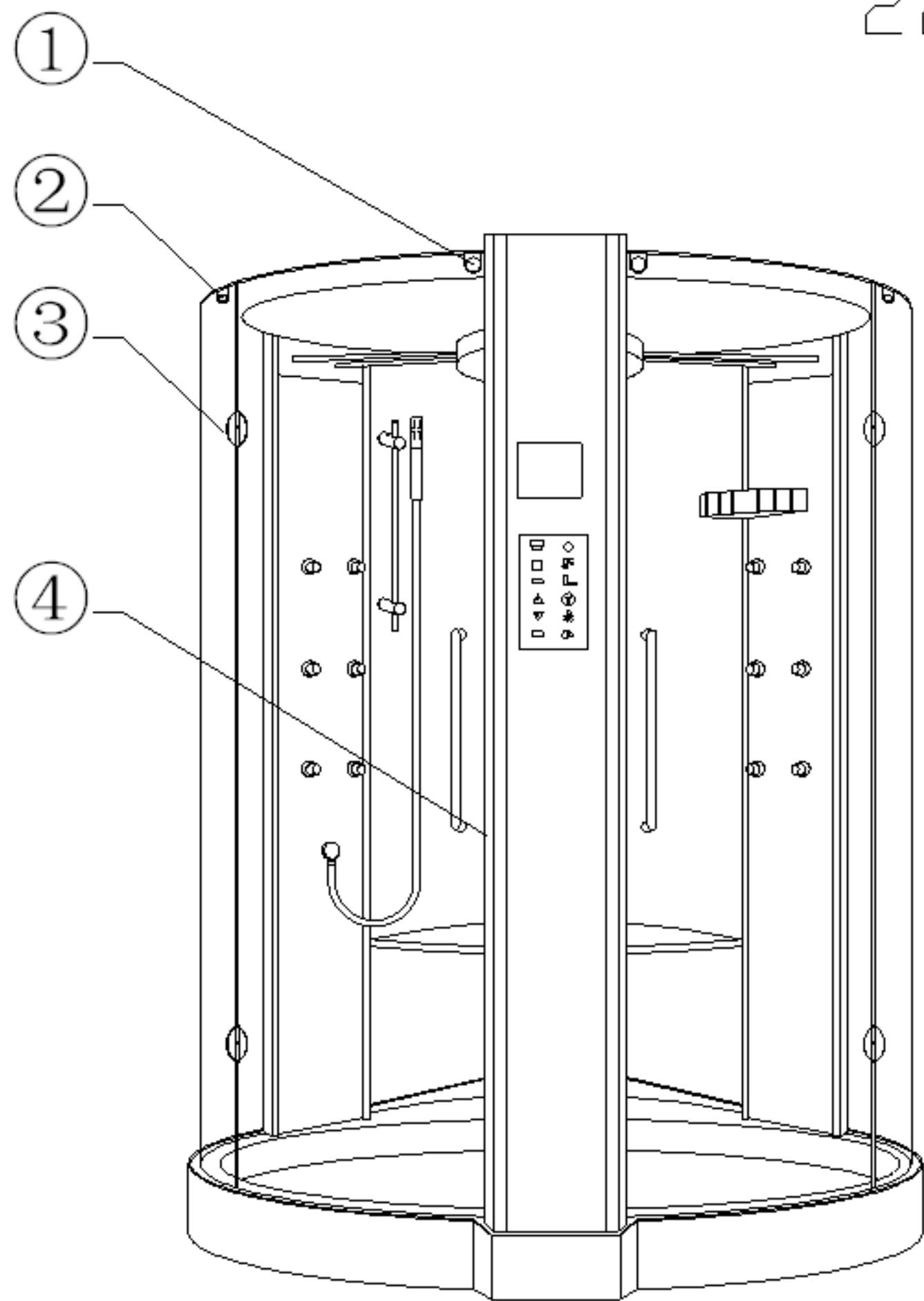


20. Install shampoo holder.

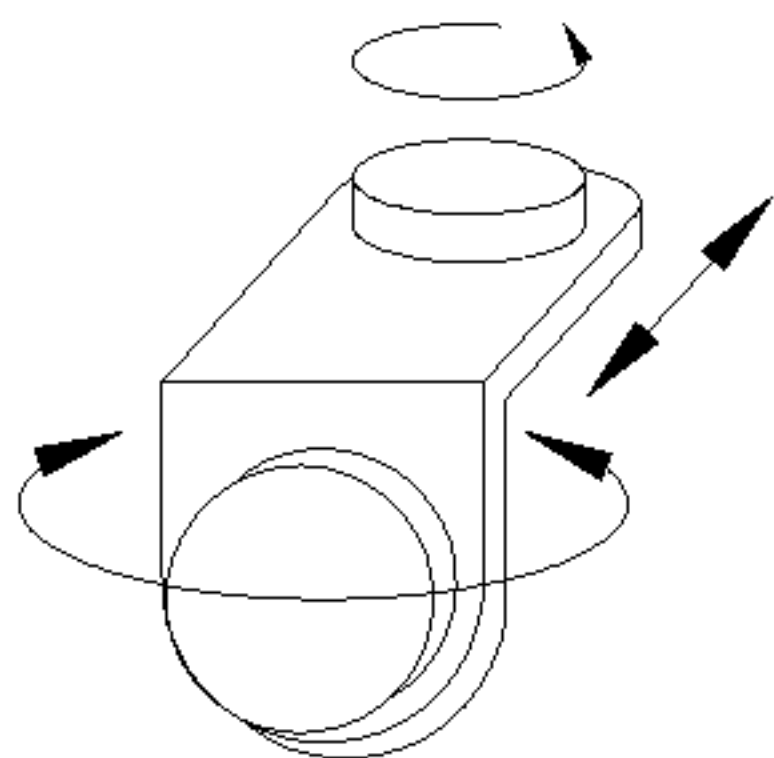


21. Install plastic seal: please install plastic seal as per picture shows to avoid water leakage and steam leakage

22

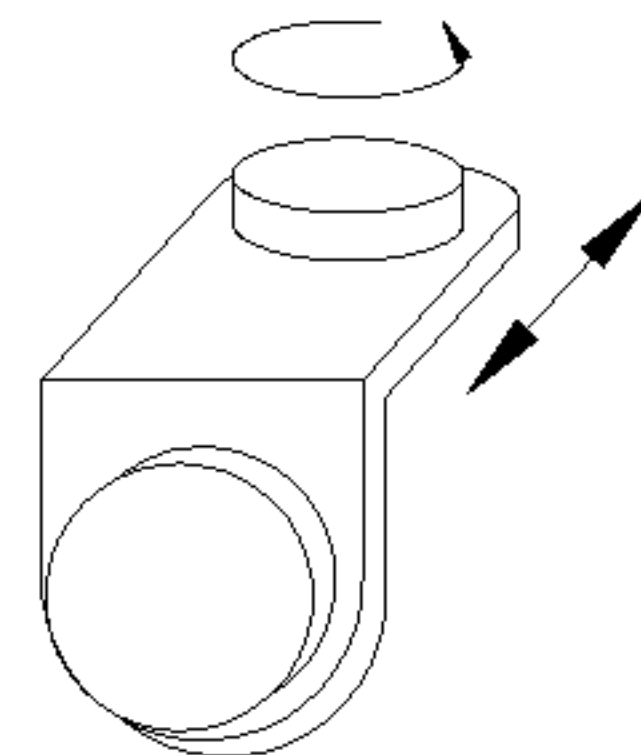


①



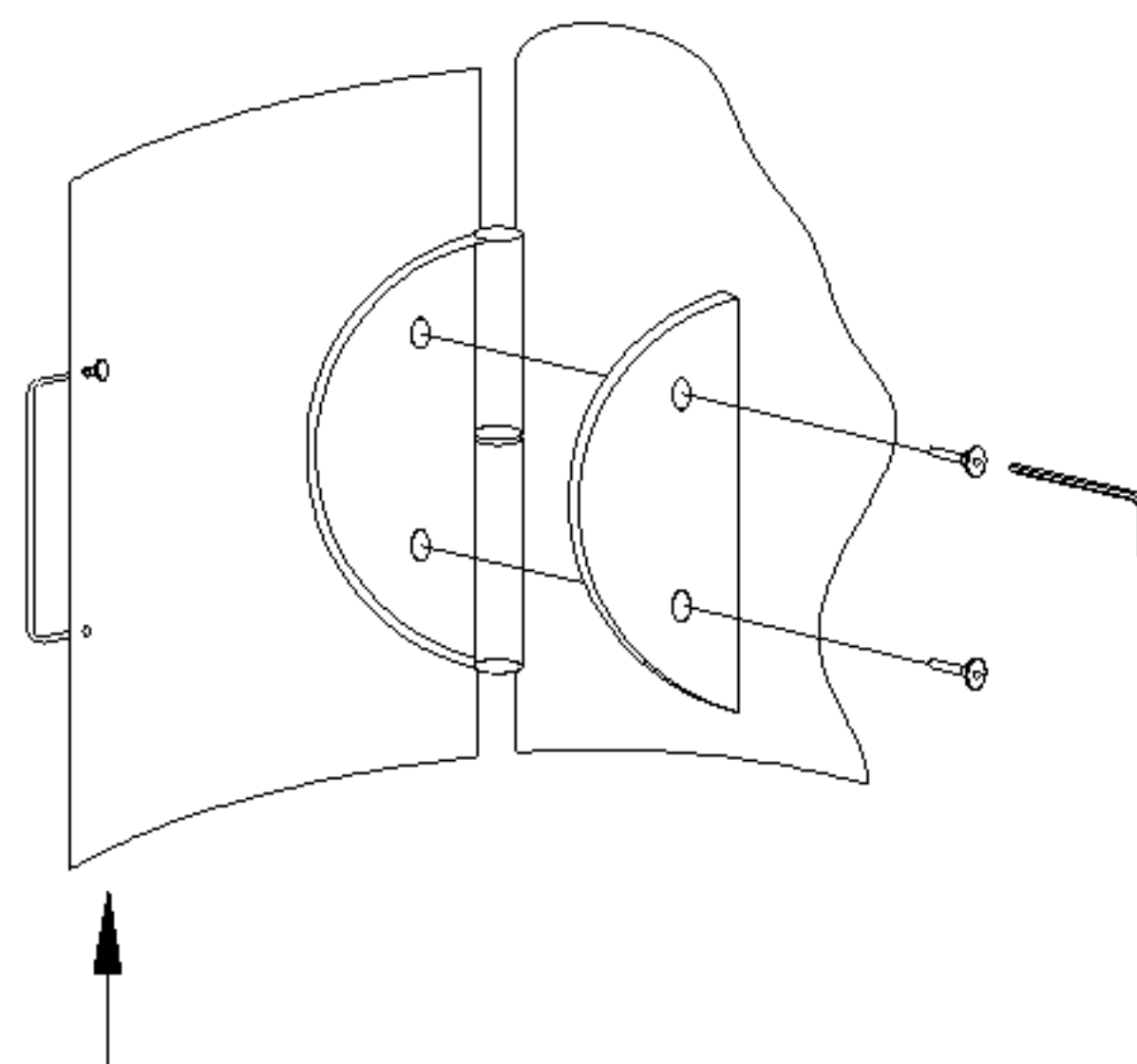
adjust magnetci cylinder

②



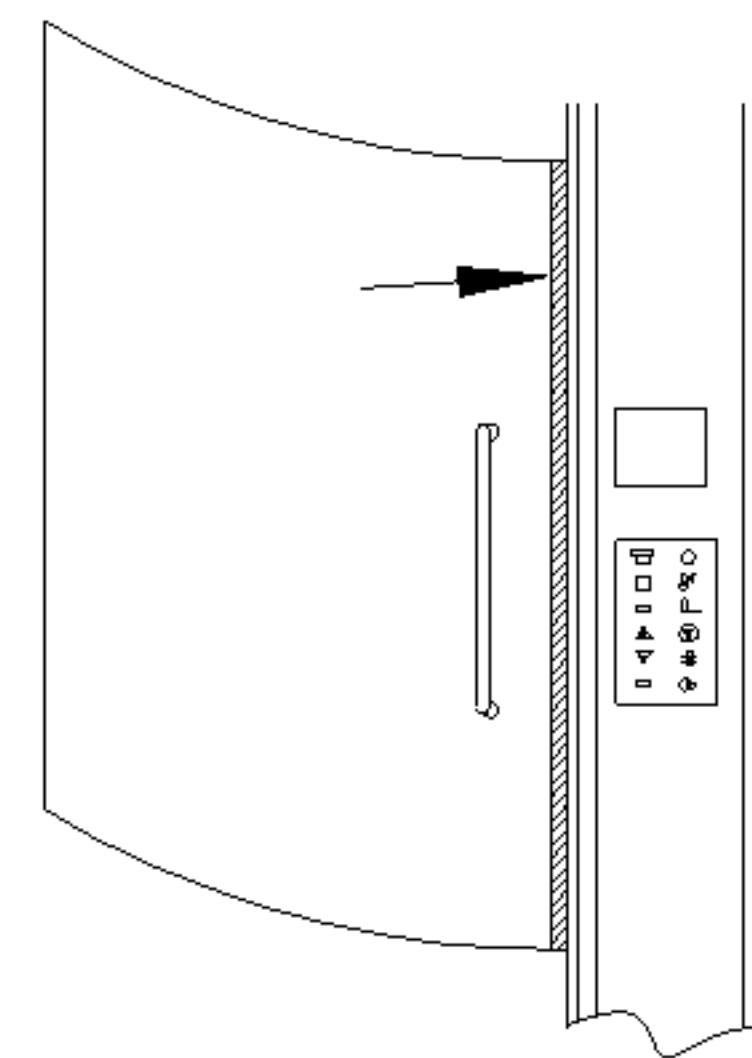
adjust glass clip

③



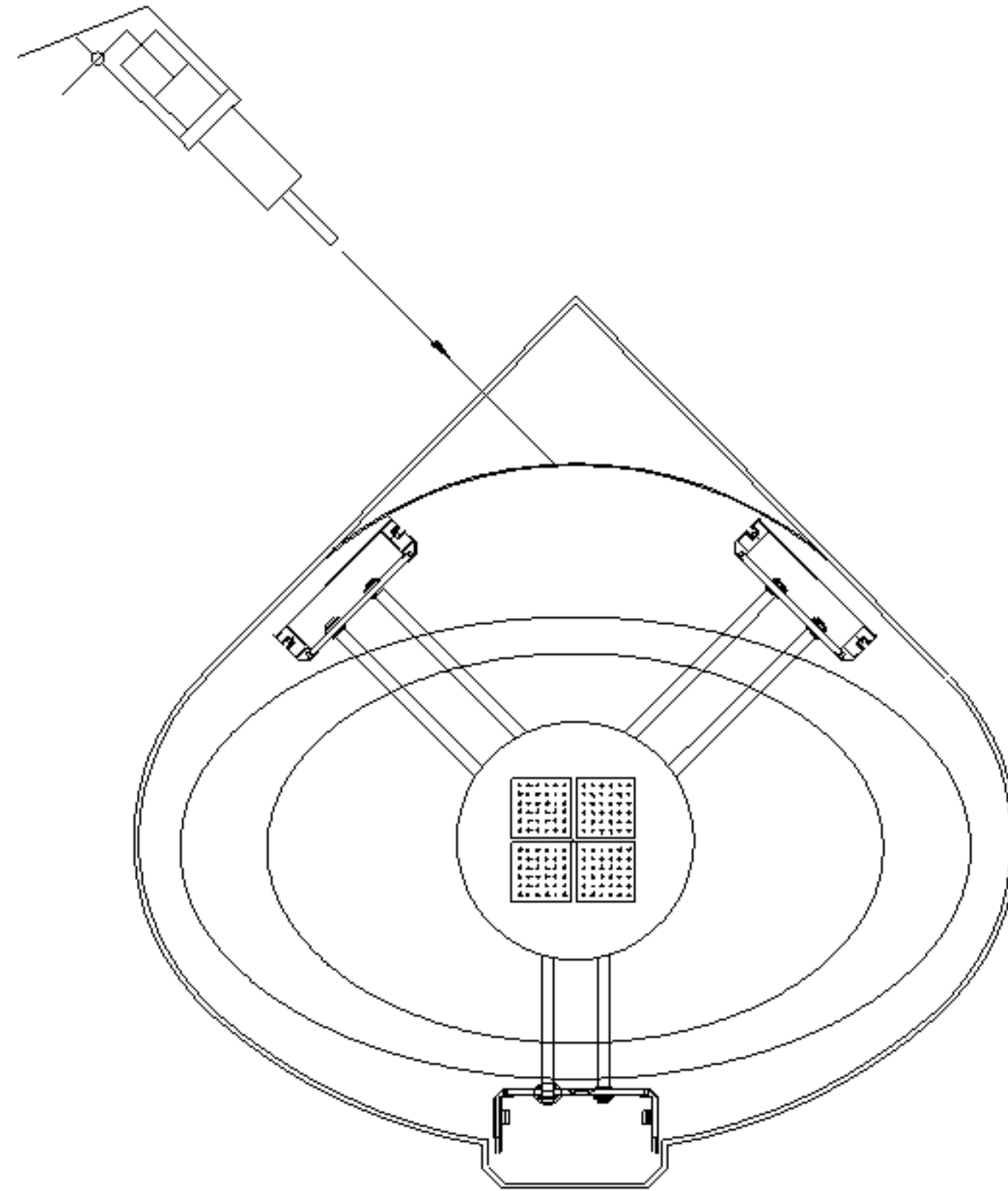
adjust door hinge

④



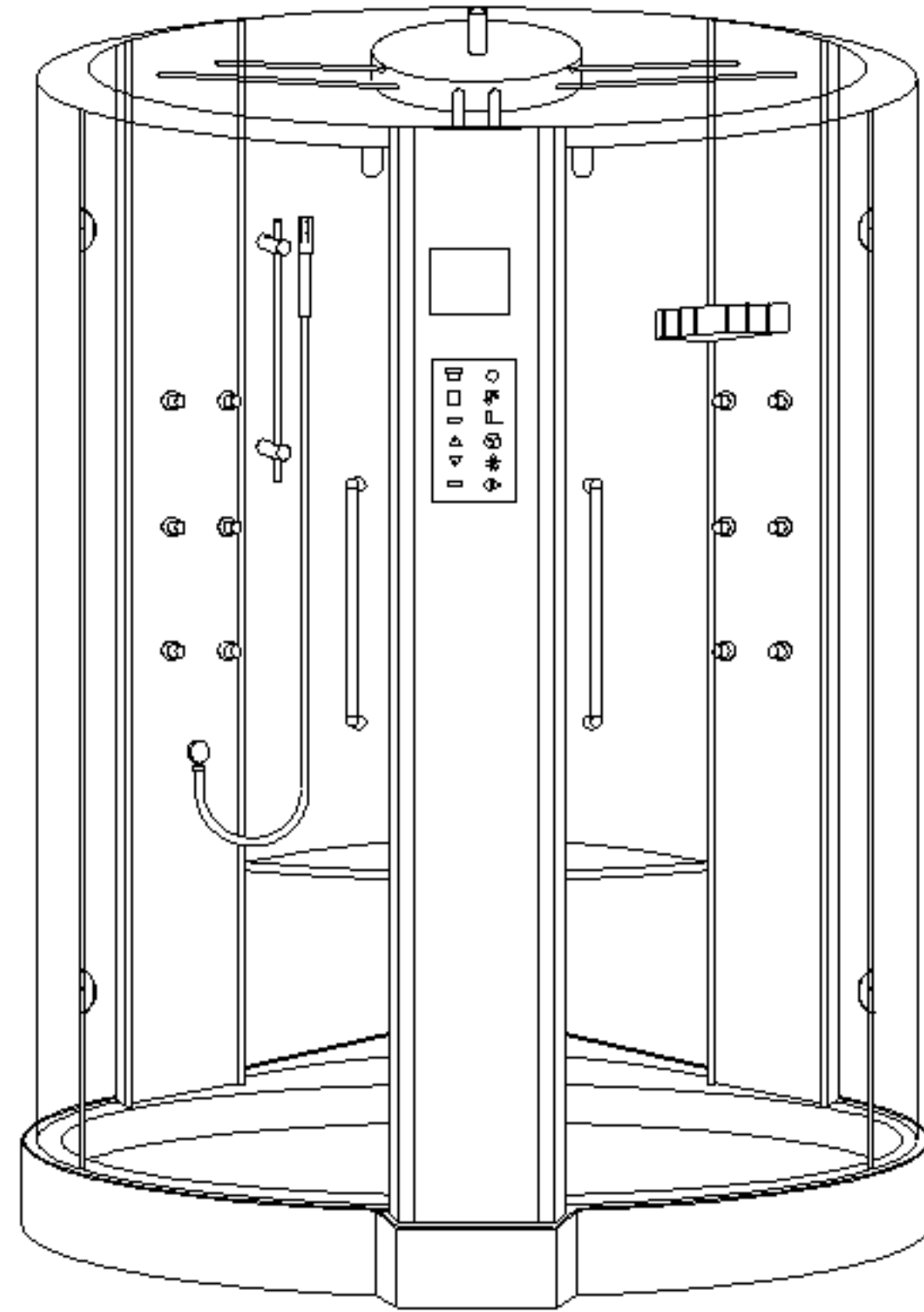
adjust plastic seal

22. Adjust magnetic cylinder, glass clip, door hinge and plastic seal to get removable doors closed well.



23. Put on silicone at the back side of glass panel.





---

24. Get water supply and power supply connected and push the steam room against wall . No use within 24 hours until the silicone is completely dry.